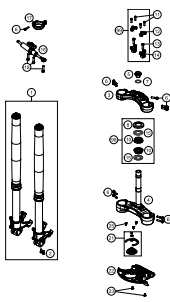
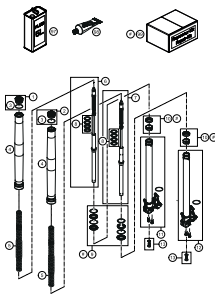
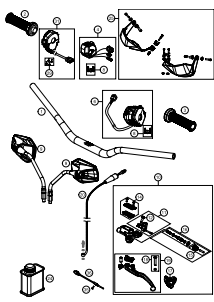
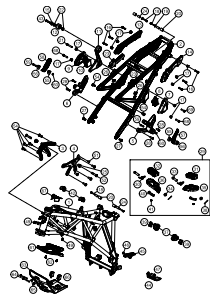
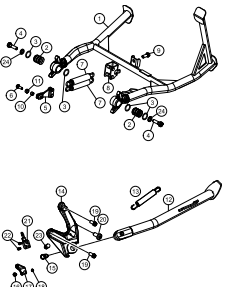
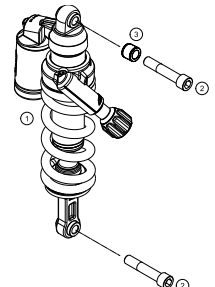
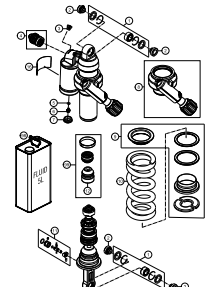
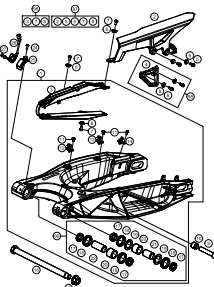
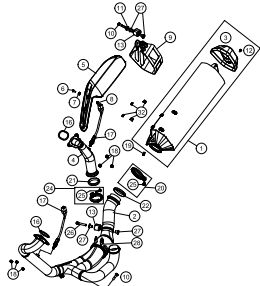
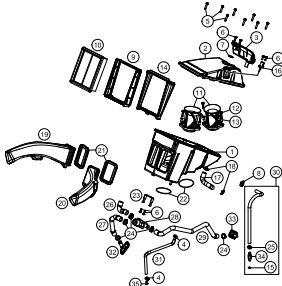
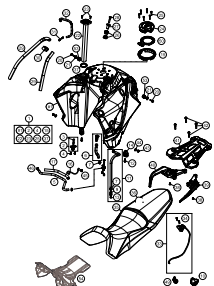
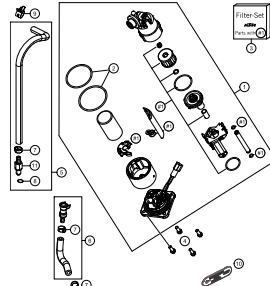
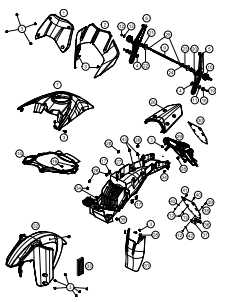
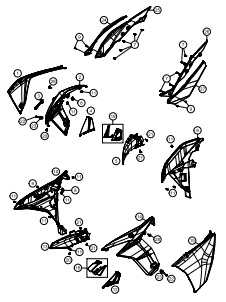
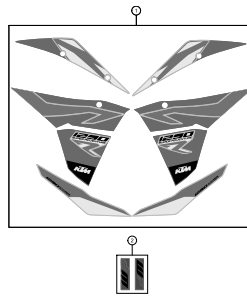
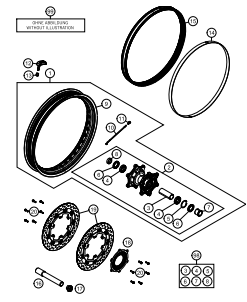
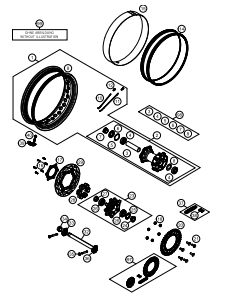
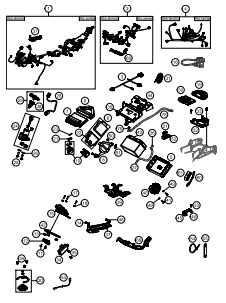
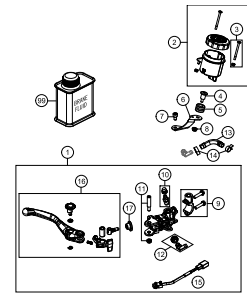
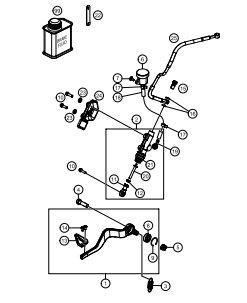
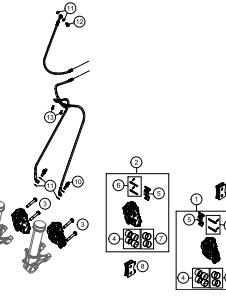
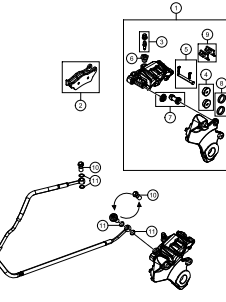
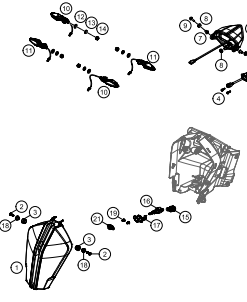
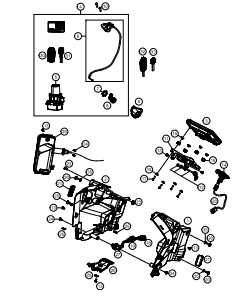


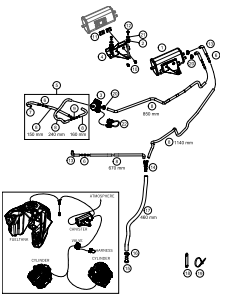
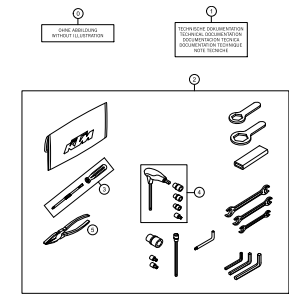
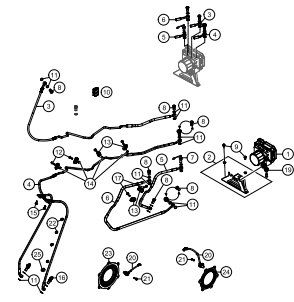
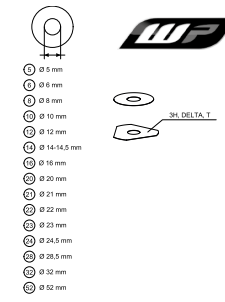
1290 Super Adventure R 2018

ART.-NR.: F9903R6EN



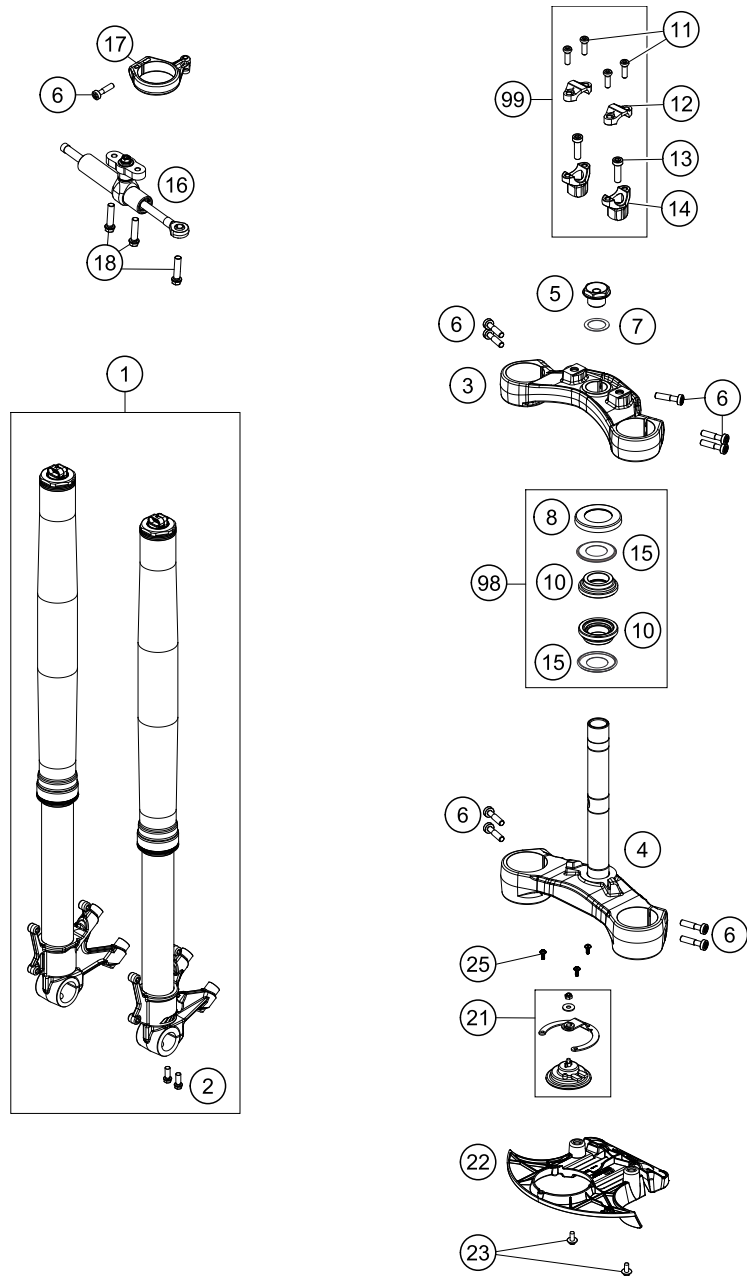
<p>FRONT FORK, TRIPLE CLAMP</p>  <p>4</p>	<p>FRONT FORK DISASSEMBLED</p>  <p>5</p>	<p>HANDLEBAR, CONTROLS</p>  <p>6</p>	<p>FRAME</p>  <p>7</p>
<p>SIDE / CENTER STAND</p>  <p>9</p>	<p>SHOCK ABSORBER</p>  <p>10</p>	<p>SHOCK ABSORBER DISASSEMBLED</p>  <p>11</p>	<p>SWING ARM</p>  <p>12</p>
<p>EXHAUST SYSTEM</p>  <p>13</p>	<p>AIR FILTER</p>  <p>14</p>	<p>TANK, SEAT, COVER</p>  <p>15</p>	<p>FUEL PUMP</p>  <p>17</p>

<p>MASK, FENDERS</p>  <p>18</p>	<p>SIDE TRIM</p>  <p>20</p>	<p>DECAL</p>  <p>21</p>	<p>FRONT WHEEL</p>  <p>22</p>
<p>REAR WHEEL</p>  <p>23</p>	<p>WIRING HARNESS</p>  <p>25</p>	<p>FRONT BRAKE CONTROL</p>  <p>27</p>	<p>REAR BRAKE CONTROL</p>  <p>28</p>
<p>FRONT BRAKE CALIPER</p>  <p>29</p>	<p>REAR BRAKE CALIPER</p>  <p>30</p>	<p>LIGHTING SYSTEM</p>  <p>31</p>	<p>INSTRUMENTS / LOCK SYSTEM</p>  <p>32</p>

<p>EVAPORATIVE CANISTER</p>  <p style="text-align: right;">33</p>	<p>SEPERATE ENCLOSURE</p>  <p style="text-align: right;">34</p>	<p>ANTIBLOCK SYSTEM ABS</p>  <p style="text-align: right;">35</p>	<p>WP SHIMS FOR SETTING</p>  <p style="text-align: right;">36</p>
<div style="display: flex; align-items: center;"> <div style="background-color: #cccccc; width: 50px; height: 100px; display: flex; align-items: center; justify-content: center; margin-right: 20px;"> ! </div> <div> <p>All information contained is without obligation. KTM Sportmotorcycle GmbH particularly reserves the right to modify any equipment, technical specifications, prices, colors, shapes, materials, services, service work, constructions, equipment and the like so as to adapt them to local conditions or to cancel any of the above items, all without previous announcement and without giving reasons. KTM may stop manufacturing certain models without previous notice. KTM shall not be held liable for any deviations of availability and/or ability to deliver, illustrations, descriptions, printing and/or other errors. The illustrated models partly contain extra equipment, which is not applied to standard models.</p> <p>© by KTM Sportmotorcycle GmbH, Mattighofen AUSTRIA; All rights reserved; Reprint, also in extracts, with written allowance of KTM Sportmotorcycle GmbH, Mattighofen only.</p> </div> </div>			

FRONT FORK, TRIPLE CLAMP

1290 Super Adventure R 2018



POS	PARTNUMBER	PARTNAME	PIECE
1	14188Q2501	Fork Adventure-R 2017	1
2	0025080206S	HH collar screw M8x20 TX40 SL	4
3	6070113403233S	Triple clamp	1
4	6070113203233S	Triple clamp	1
5	6900103600001	STEERING HEAD SCREW 09	1
6	0035080356	AH-COLLAR SCREW M8X35 ISA45	10
7	0988253505	thrust wash DIN0988-25x35x0,5	1
8	69001086100	PROT. RING STEER. HEAD BEARING	1
10	69001181000	STEERINGHEAD KPL.17	2
11	0025080256	HH collar screw M8x25 TX40	4
12	7720103800030	HANDLEBAR CLAMP 28MM	2
13	0032100356S	AH-COLLAR SCREW M10X35 ISA45	2
14	5940103903730	HANDLEB.SUPP. D=28MM H=37MM	2
15	69001084100	Steering head gasket	2
16	16181N53ES	STEERING DAMPER CPL.	1
17	6031200700033S	CLAMP STEERING DAMPER	1
18	0025080256S	HH COLLAR SCREW M8X25 TX40	3
21	60711060033	Direct current horn complete	1
22	60308024200	TRIPLECLAMP-FACEPLATE BELOW	1
23	83008000015	SPECIAL SCREW M6X15X3	2
25	0081050121	EJOT PT screw K50x12	3
98	69001181010	Steering head rep. Kit	x
99	00050000927	HANDLEBAR SUPPORT KIT ADV.1190	x

176040110

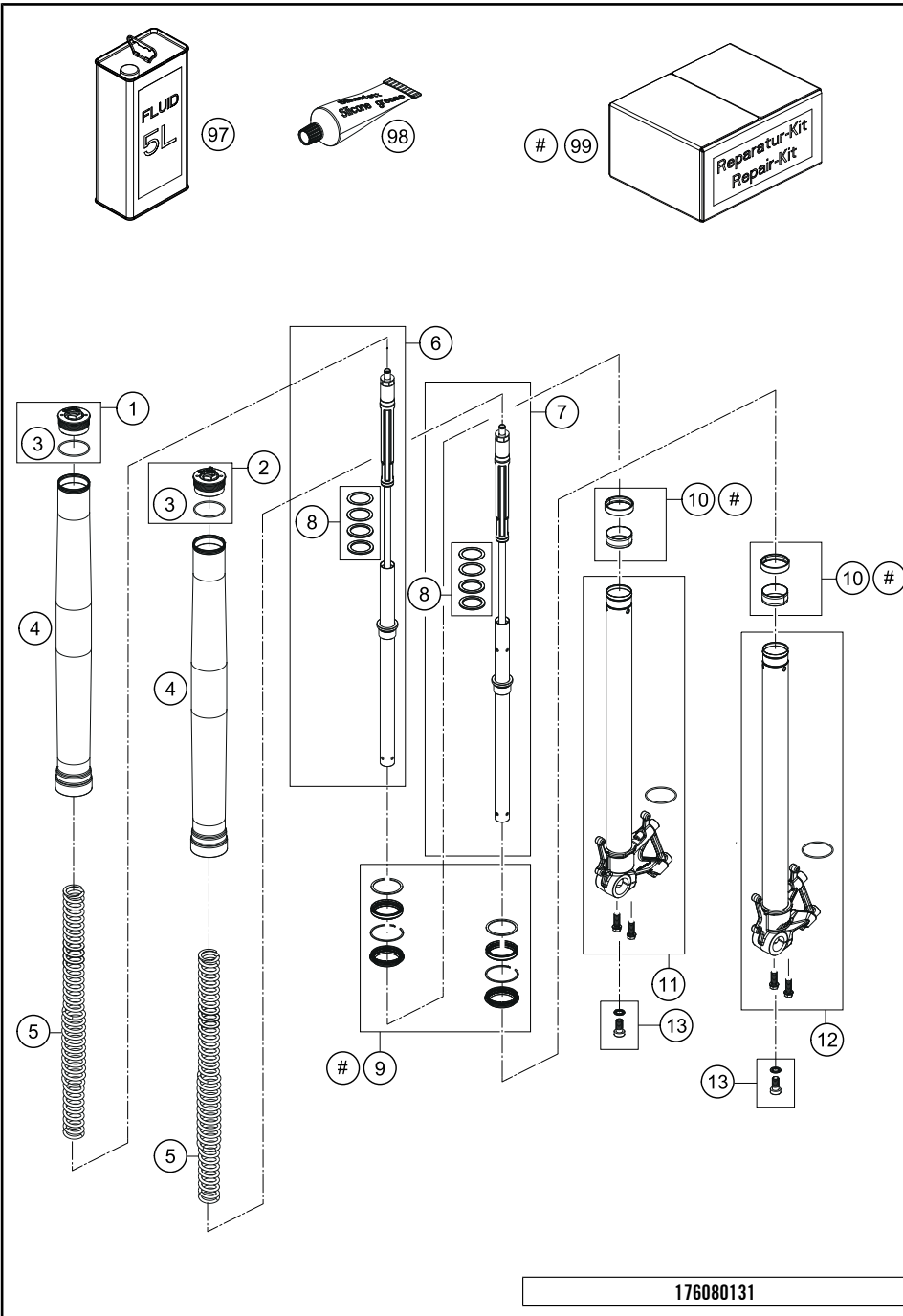
49307

* NEW PART

X ON DEMAND

FRONT FORK DISASSEMBLED

1290 Super Adventure R 2018



POS	PARTNUMBER	PARTNAME	PIECE
1	48600431E3	SCREW CAP M51X1.5 REB	1
2	48600431E4	SCREW CAP M51X1,5 COM	1
3	46810340	O-RING NBR 45X2	2
4	48601174	OUTER TUBE L=600 D54/D60 2L	2
5	95010082	Spring D38 L555 6.5 N/mm Set	2
6	48601728S1	Insert right cpl.	1
7	48601729S1	Insert left cpl.	1
8	R14054	REP. KIT SPACER	1
9	R14040	GASKET KIT CPL.	1
10	R14047	REP. KIT GUIDE BUSHINGS	1
11	48601305S1	AXLE CLAMP WITH INNER TUBE	1
12	48601304S1	AXLE CLAMP WITH INNER TUBE	1
13	00501020S1	AH SCREW M10X20 SET	1
97	48601166S1	FORK OIL SAE4 5L	x
98	T14034	Fuchs grease IPR (250g)	x
99	R14063	FORK REP. KIT 48MM OFFROAD	x

176080131

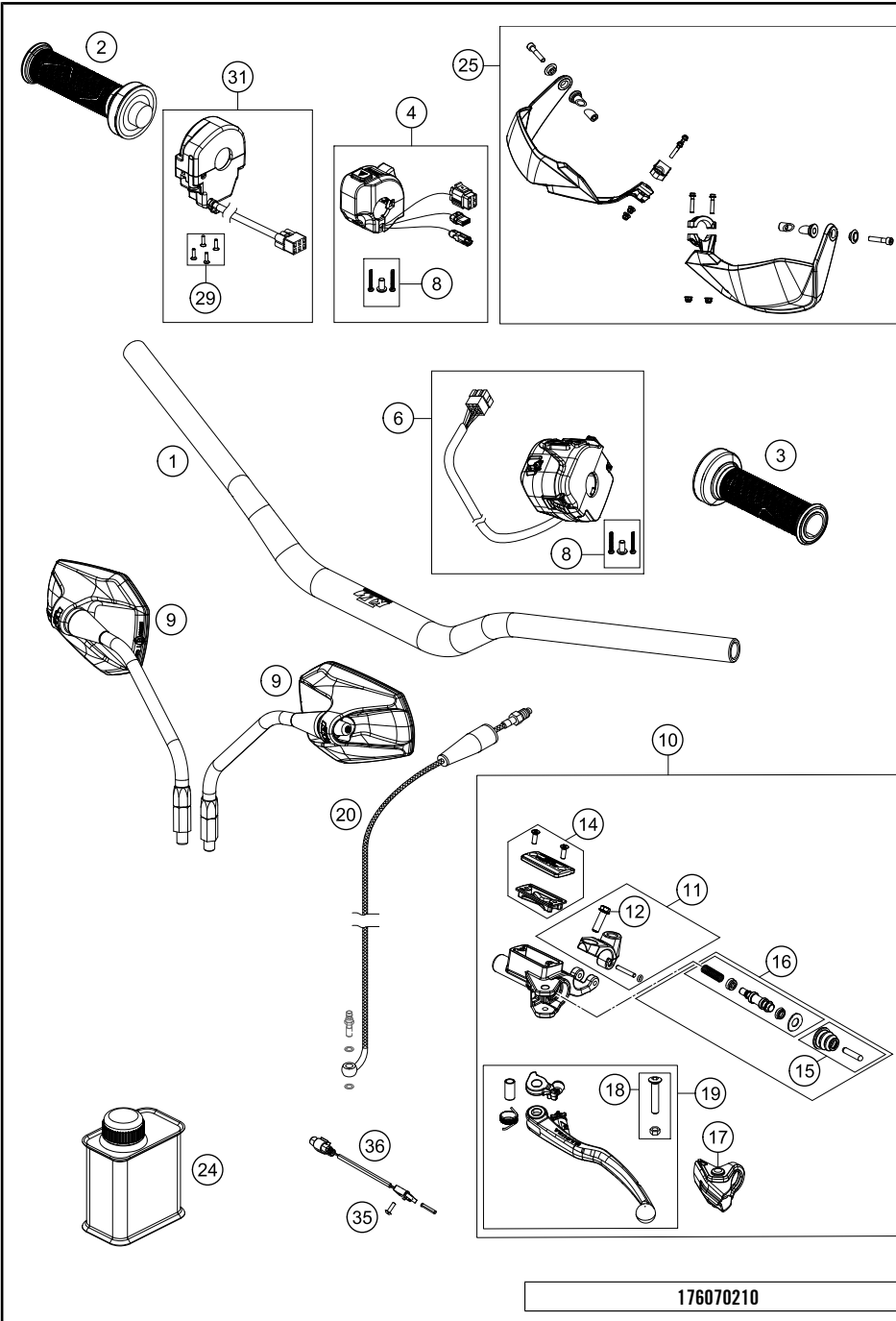
18581

* NEW PART

X ON DEMAND

HANDLEBAR, CONTROLS

1290 Super Adventure R 2018



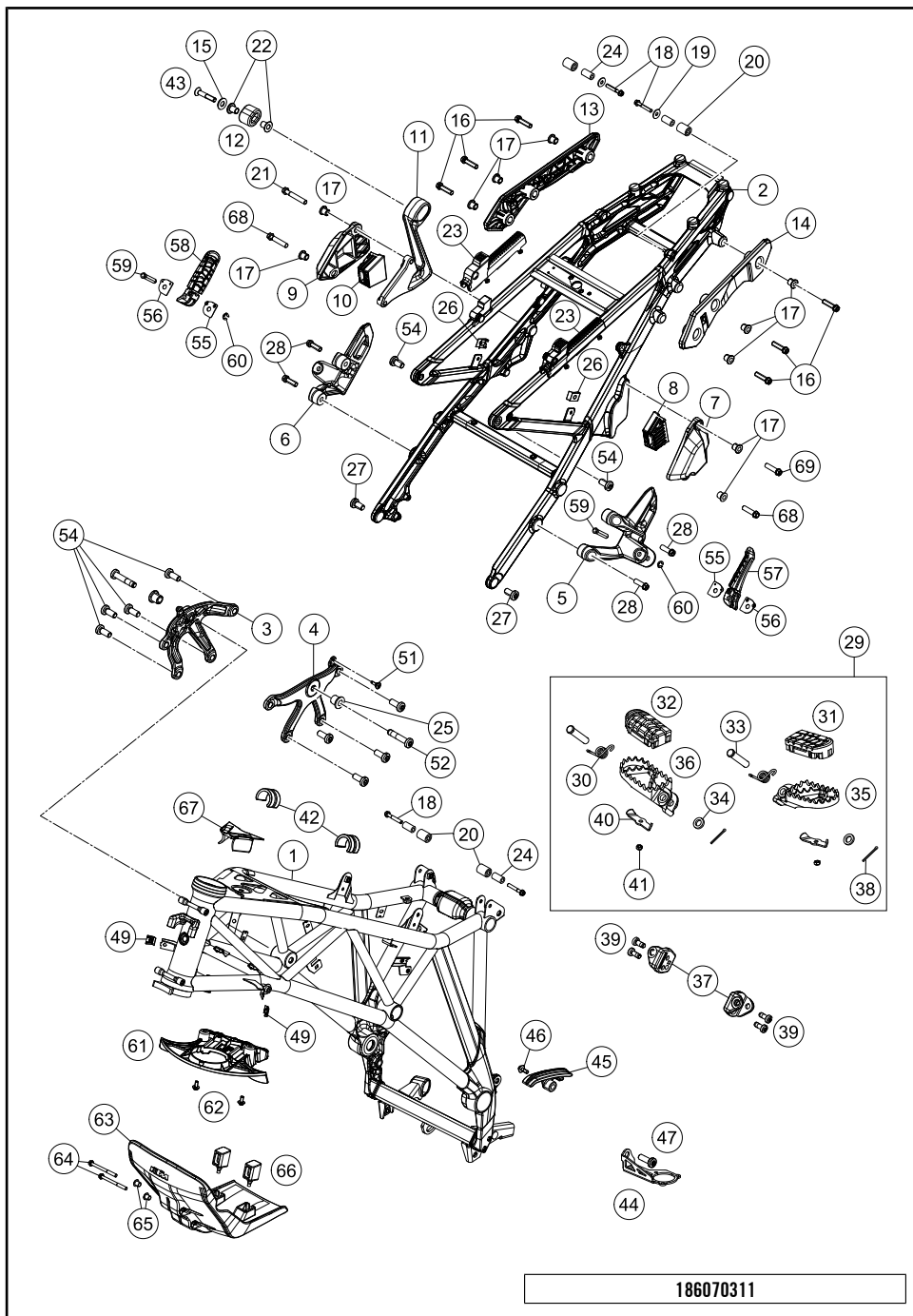
POS	PARTNUMBER	PARTNAME	PIECE
1	6070200100033	Handlebar	1
2	60702012000	Grip tube (no heating)	1
3	60702039100	Grip LHS w/o heater	1
4	61411174000	Start-emergency off switch	1
6	61411170000	Combination switch left	1
8	60411074010	SCREW SET START-STOP SPEED CON	1
9	60312040200	Mirror	2
10	60302030144	MASTER CYLINDER DOT CPL. 12MM	1
11	76513005000	CLAMP, CYL. PIN, O-RING	1
12	0025060166	HH collar screw M6x16 TX30	1
14	25002033000	COVER HYDR. CLUTCH DOT CPL.	1
15	76502046000	PUSH ROD CPL. 13	1
16	60302032100	REPAIR KIT PISTONS DOT	1
17	76502037000	PROTECT.CAP FOR LEVER PERCH 13	1
18	50302038200	LEVER SCREW SHORT CPL. 09	1
19	60302031000	CLUTCH LEVER LONG CPL. 2013	1
20	60032063100	CLUTCH PIPE LC8 ADV '03	1
24	00062030000	BRAKE FLUID DOT5.1 0,25L	1
25	6030217910030	HANDGUARD CLOSED BLACK HIGH	1
29	76011073110	SCREW SET START-STOP SWITCH	1
31	60711012000	Ride-by-wire without throttle tube	1
35	0985030103	FLAT HEAD SCREW DIN7985 M3x1	1
36	83111049000	CLUTCH SWITCH ATV	1

176070210

49333

* NEW PART

X ON DEMAND



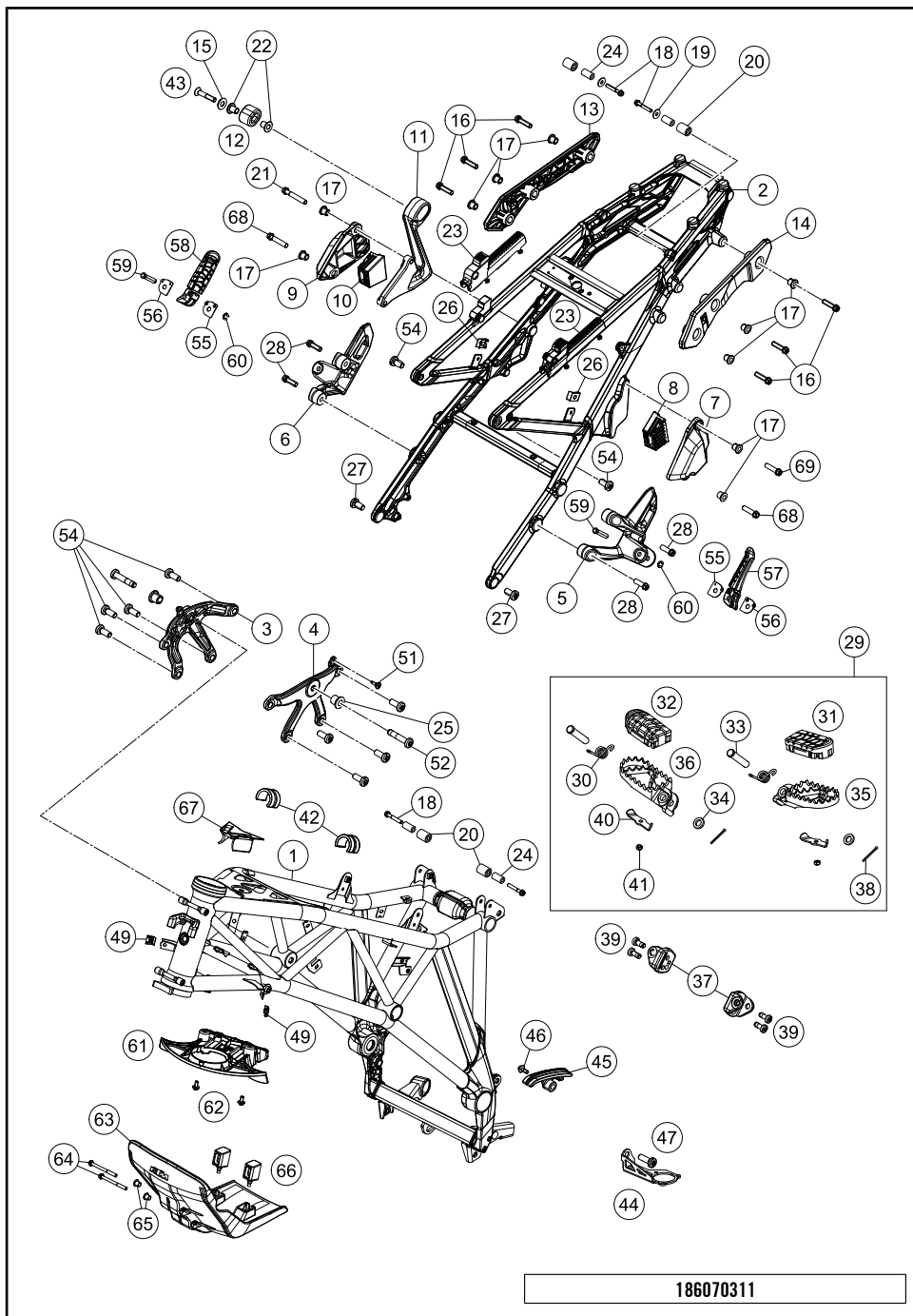
POS	PARTNUMBER	PARTNAME	PIECE
1	60703001000EB	Frame "607 QA" elec or.	1
2	6030300200033	SUB FRAME	1
3	6030300600033S	ENGINE SUPPORT R/S BLACK	1
4	6030300500033S	ENGINE SUPPORTL/S BLACK	1
5	6030304800033S	FOOTR. SUP. REAR L/S BLACK	1
6	6030304900033S	FOOTR. SUP. REAR R/S BLACK	1
7	60312010050	SUITCASE HOOK L/S	1
8	60712010060	Case hooks damping rubber, left	1
9	60312011050	SUITCASE HOOK R/S	1
10	60712011060	Case hooks damping rubber, right	1
11	6030508400033S	EXHAUST BRACKET	1
12	61305068000	DAMPING RUBBER	1
13	60312021250	CASE BAR R/S	1
14	60312020250	CASE BAR L/S	1
15	60405069000	conical seat Alu	1
16	0025080306	HH collar screw M8x30 TX40	8
17	60303002058	SPACER BUSHING 13X17X8,2	10
18	0025060356	HH collar screw M6x35 TX30	4
19	0021060003	WASHER DIN9021-A 6,4	2
20	60307048000	RUBBER SEAT-CONTACT SURFACE	4
21	0025080256	HH collar screw M8x25 TX40	1
22	60305069000	BUSHING	2
23	60307040041	PLATE RUBBER SEAT	2
24	60307049000	BUSH 6.2X12X21.5	4
25	60303007000	SPACER BUSH ENGINE SUPPORT	2
26	54603048100	clip nut M6	2
27	0035100209	AH-COLLAR SCREW M10X20 ISA45	2
28	0035080256	AH-COLLAR SCREW M8X25 ISA45	4
29	60003040133	FOOTPEG LS+RS CPL.	1
30	54603041000	FOOTREST SPRING L/S & R/S	2
31	60003040010	FOOTREST RUBBER FRONT L/S 03	1
32	60003041010	FOOTREST RUBBER FRONT R/S 03	1
33	54803044000	PIN FOR FOOT PED 51.5X9.8 MM	2
34	0125100003	washer DIN 125 A 10.5	2
35	78003040050	FOOTREST L/S 08	1
36	78003041050	FOOTREST R/S 08	1
37	6030310109533S	FOOTREST MOUNTING	2
38	0094032253	PIN DIN0094-3,2X25 STEEL	2

186070311

49310

* NEW PART

X ON DEMAND



186070311

POS	PARTNUMBER	PARTNAME	PIECE
39	0025080166S	HH collar screw M8x16 TX40 SL	4
40	60003044010	CLOSING PANEL FRONT L/S R/S 03	2
41	0985050003	SELF LOCKING NUT DIN0985-M 5	2
42	61007014000	SPACER FUEL TANK 05	2
43	0019080456	countersunk screw M8x45 TX45	1
44	60312967040	OIL INFILLING ADAPTER BRACKET	1
45	60303070000	CHAIN GUIDE	1
46	0024060156	HH collar screw M6x15 TX30	1
47	0035100309S	SHCS M10x30 TX45	1
49	54603048200	RANGE CHANGE METAL NUT M5	2
51	69008021160	special screw M5x12	1
52	0035100509S	AH-COLLAR SCREW M10X50 ISA45	2
54	0035100249	SHCS M10x24 TX45	10
55	60003152000	ENGAGE PANEL FOOTREST L/S 03	2
56	60003052000	ENGAGE PANEL FOOTREST R/S 03	2
57	60003050000	FOOTREST CPL. L/S REAR 03	1
58	60003051000	FOOTREST CPL. R/S REAR 03	1
59	60003044100	footrest bolt, rear	1
60	0799060003	retaining washer DIN 6799 - 6	2
61	60308024200	TRIPLECLAMP-FACEPLATE BELOW	1
62	0024060136	HH collar screw M6x13 TX30	2
63	6030319000030	SKID PLATE ADV	1
64	0025060406	HH collar screw M6x40 TX30	2
65	45239060050	COLLAR BUSHING 6,3X8X13X9,5	2
66	60003096000	VIBRATION DAMPER 03	2
67	60303003010	STEERING HEAD COVER	1
68	0025080256	HH collar screw M8x25 TX40	2
69	0025080306	HH collar screw M8x30 TX40	2

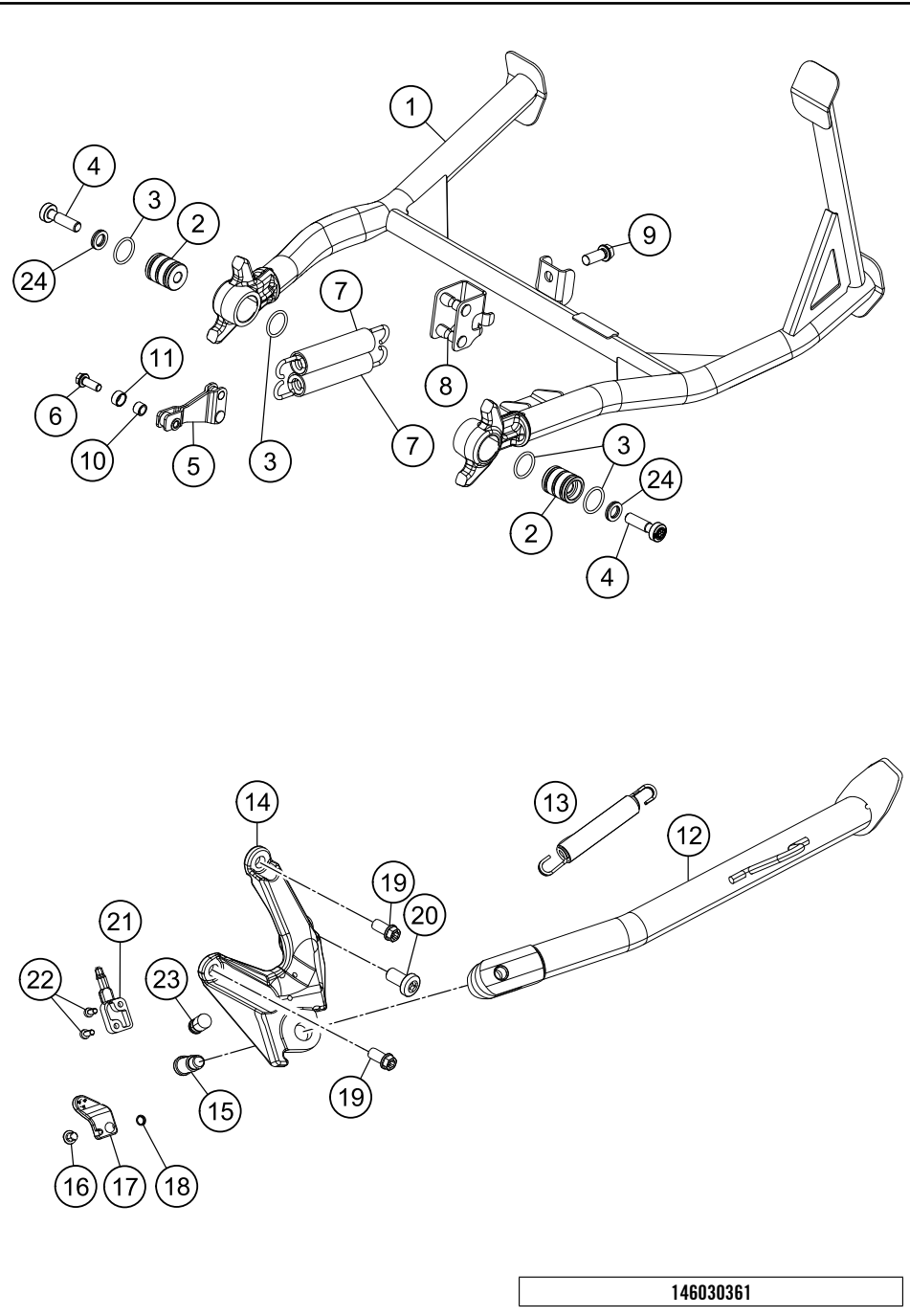
49310

* NEW PART

X ON DEMAND

SIDE / CENTER STAND

1290 Super Adventure R 2018



POS	PARTNUMBER	PARTNAME	PIECE
1	6030302210033	MAIN STAND	1
2	60303022007	BUSHING SUPPORT CENTRAL	2
3	0770180020	o-ring 18.00x2.00 NBR70	4
4	0035080356S	SCREW M8X35 ISA45 SS	2
5	60303022025	SPRING SUPPORT FRONT CPL.	1
6	0025060166	HH collar screw M6x16 TX30	1
7	60303030100	SIDESTAND SPRING L=118MM	2
8	60303022026	SPRING SUPPORT REAR CPL.	1
9	0025080206	HH collar screw M8x20 TX40	1
10	60303022031	BUSHING SPRINGSUPPORT FRONT	1
11	60303022032	BUSHING SPRING SUPPORT FRONT	1
12	6030302310033	SIDE STAND CPL.	1
13	60303024100	SIDE STAND SPRING	1
14	6030302610033S	SIDE STAND BRACKET	1
15	62503027200	SCREW FOR SIDE STAND M10X31,2	1
16	0902060083	AH OVAL SCREW ISO 7380 M 6X8	1
17	60303029050	MAGNET HOLDER	1
18	60303029051	BUSHING MAGNET HOLDER	1
19	0025080166	HH COLLAR SCREW M8X16 TX40	2
20	0035100309S	SHCS M10x30 TX45	1
21	61011045000	SIDE STAND SENSOR 05	1
22	0084040123	CYL.HEAD SCREW DIN84A M4x12	2
23	60303023111	RETAINING BOLT	1
24	60303022035	NORDLOCK WASHERS M8	2

146030361

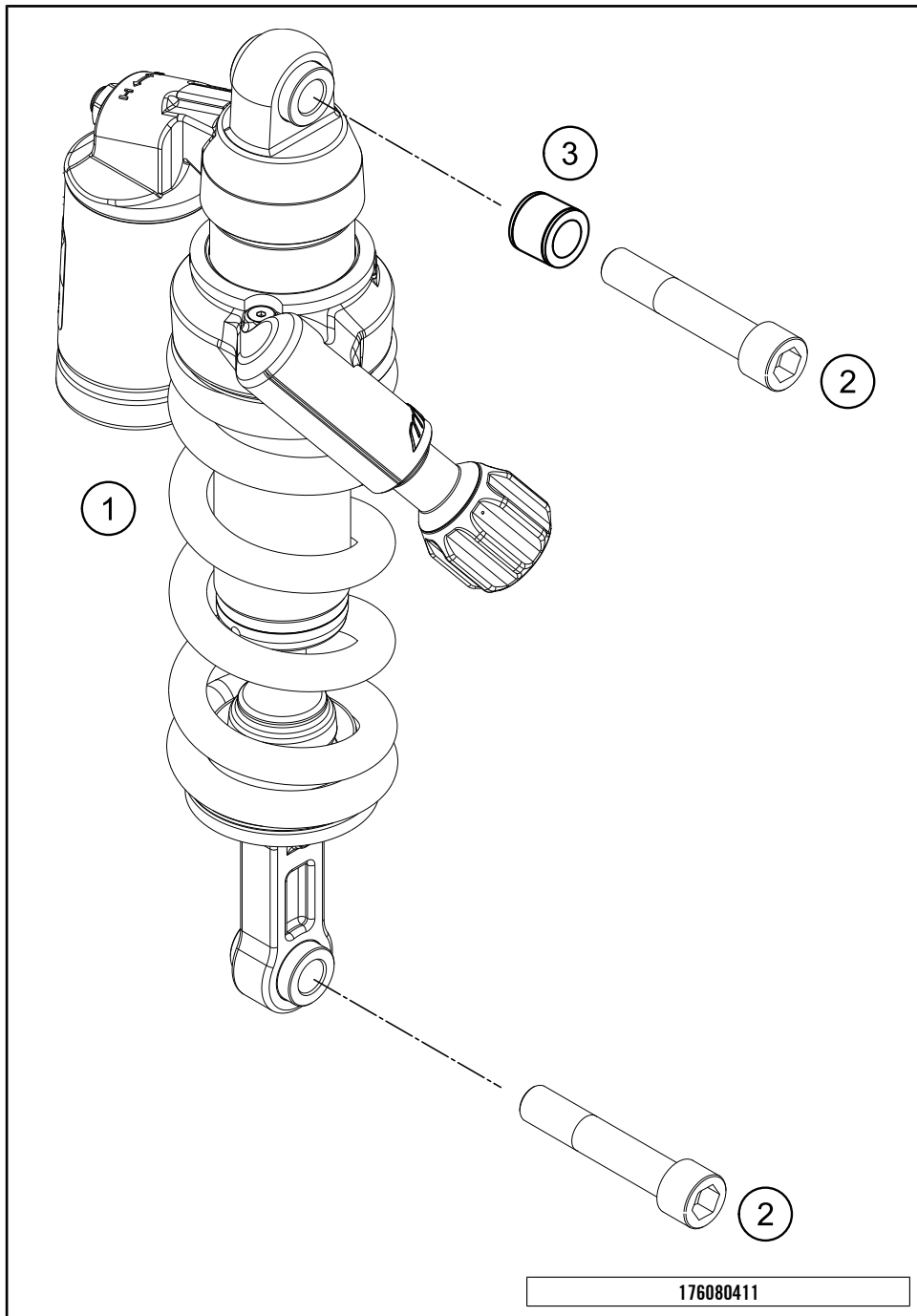
18886

* NEW PART

X ON DEMAND

SHOCK ABSORBER

1290 Super Adventure R 2018

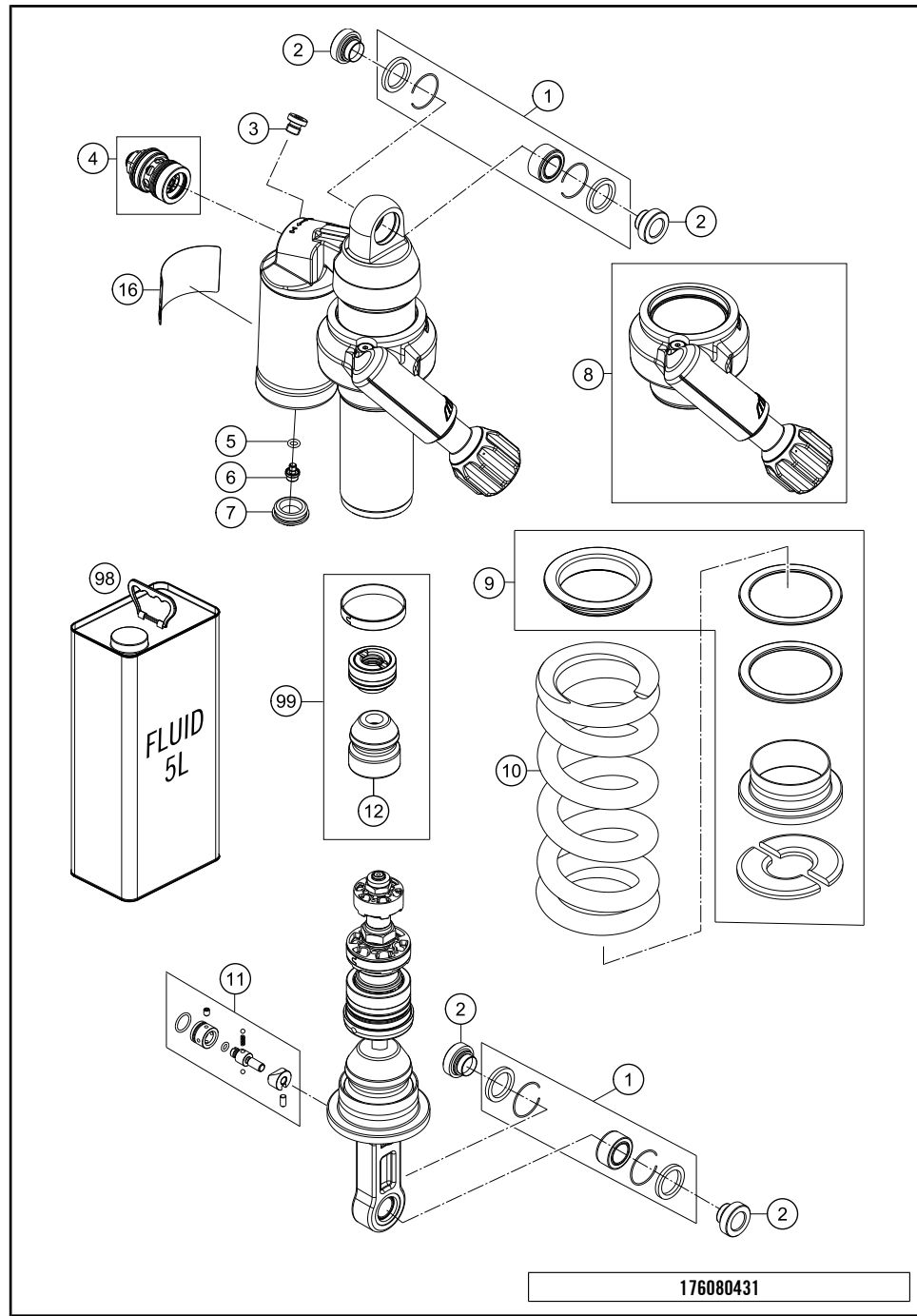


POS	PARTNUMBER	PARTNAME	PIECE
1	15187Q2501	Monoshock Adventure R 2017	1
2	60004017000	SCREW M14X1,5 L=73MM 03	2
3	60004030151	BUSHING MONOSHOCK SOCKET 05	2

* NEW PART X ON DEMAND

SHOCK ABSORBER DISASSEMBLED

1290 Super Adventure R 2018

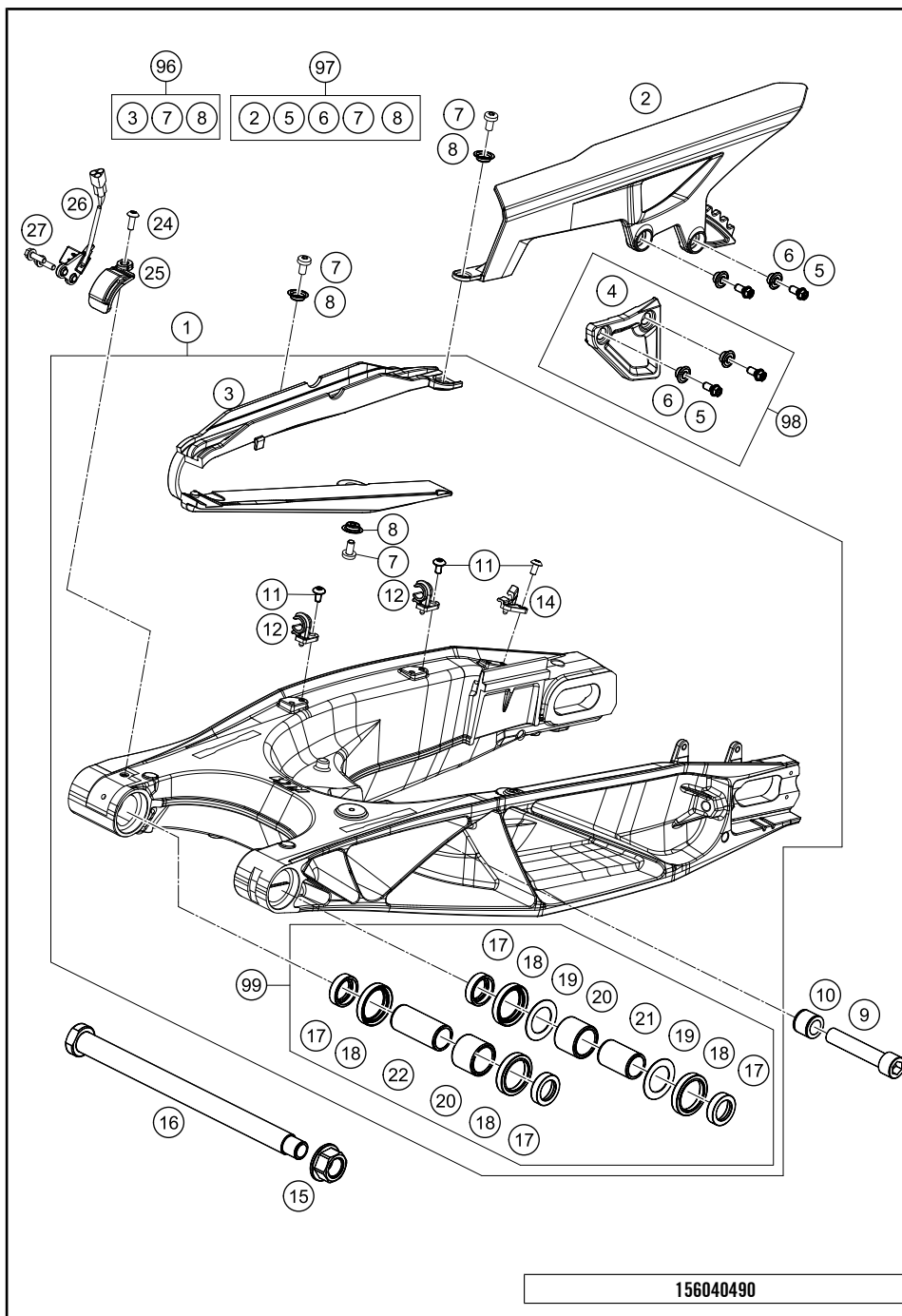


POS	PARTNUMBER	PARTNAME	PIECE
1	R12012	REP. KIT BEAR./SEAL UP. 07	2
2	46181307E	Bushing D14 + lip seal	4
3	50180095	BLEED PLUG R 1/8	1
4	50180213S27	DCC compr.damp.control cpl. 17	1
5	46810893	O-RING NBR 5,28X1,78	1
6	36120151	SCREW PLUG M5X6	1
7	46811208	RUBBER CAP "DO NOT OPEN"	1
8	15000M01S1	POWER ADJUSTER CPL. WITH SCREW	1
9	R15015	REPAIR KIT GASKET BOTTOM	1
10	91010358	Spring D59 L205 180 N/mm white	1
11	46180522S1	TAP ADJ. REBOUND	1
12	50181080	BUMPER	1
16	52000149	Sticker WP Warning Indien Bike 60 x 35mm	1
98	50180751S1	SHOCK ABSORBER FLUID 5 LT	1
99	RP10013	Repair kit ADV. R	1

176080431

18872

* NEW PART X ON DEMAND



POS	PARTNUMBER	PARTNAME	PIECE
1	6040403004433	SWING ARM CPL.	1
2	60304061000	CHAIN GUARD	1
3	60304066000	CHAIN SLIDING GUARD	1
4	60304070000	CHAIN GUIDE	1
5	0025060166	HH collar screw M6x16 TX30	4
6	50308053000	BUSH FOR SPOILER 6X11X16X7,5	4
7	0018050103	INT. TORX OVAL HEAD M 5X10 8.8	3
8	46104066050	BUSH FOR CHAINSLIDER GUARD 02	3
9	60004017000	SCREW M14X1,5 L=73MM 03	1
10	60004030151	BUSHING MONOSHOCK SOCKET 05	1
11	78105081010	SCREW TORX M5X10	3
12	60104042000	RET. CLAMP F. BRAKE HOSE	2
14	60142026000	CABLE SUPPORT SWING ARM 06	1
15	60004038200	COLLAR NUT M19X1,5 SW=27MM	1
16	69004037244	SWING ARM BOLT	1
17	60004034000	BUCKET F. SHAFT SEAL RING 03	4
18	0760304073	SHAFT SEAL RING 30X40X7	4
19	60004033000	STOP DISK 03	2
20	60004031000	NEEDLE BUSH HK2526B 03	2
21	60004032000	INNER RING JR20X25X38,5 03	1
22	69004032000	INNER RING JR 20X25X56,5	1
24	58605083014	SCREW M5X14 TORX 25 07	1
25	60416061000	MAGNET HOLDER	1
26	60416062000	WHEEL TRAVEL SENSOR	1
27	0025050206	HH collar screw M5x20 TX30	2
96	60304066010	CHAIN GUARD KIT 13-14	x
97	60304060010	CHAIN PROTECTION KIT 13-14	x
98	60304070010	CHAIN GUIDE KIT 1190 ADV	x
99	69004230010	SWING ARM REP. KIT 08-14	x

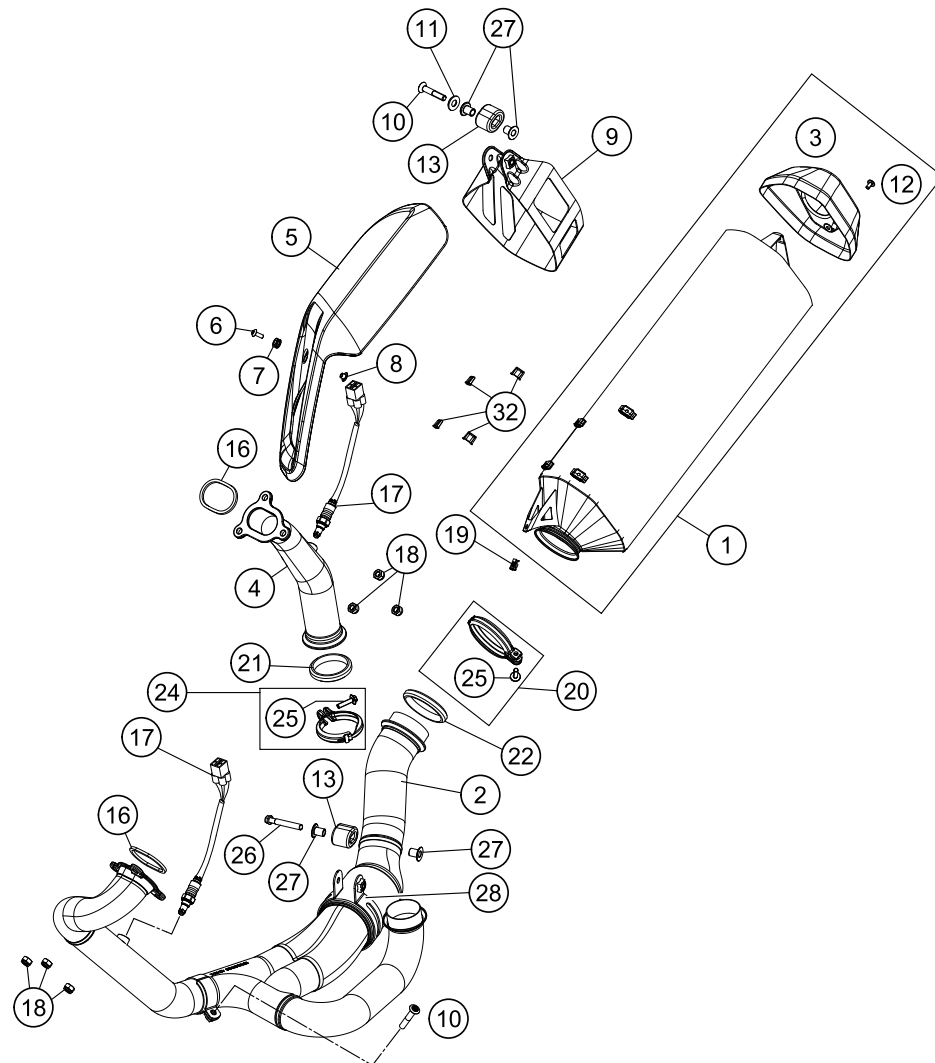
156040490

18873

* NEW PART X ON DEMAND

EXHAUST SYSTEM

1290 Super Adventure R 2018



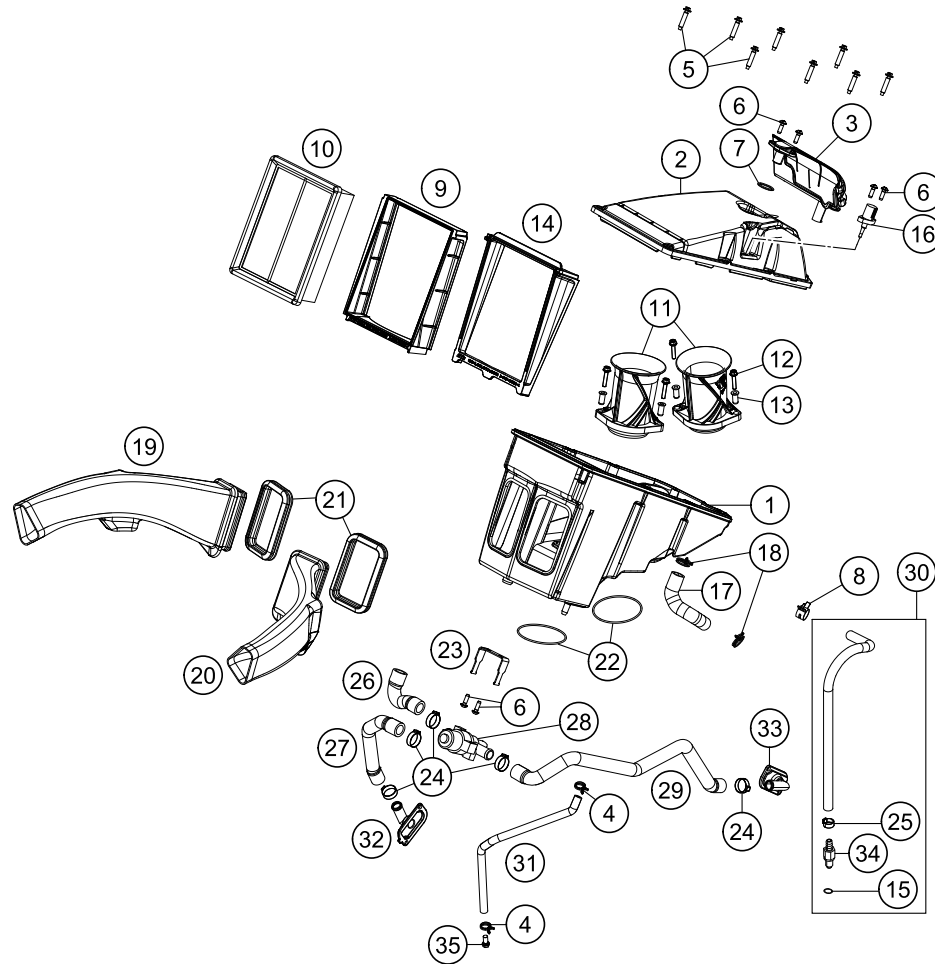
POS	PARTNUMBER	PARTNAME	PIECE
1	60305083000	SILENCER	1
2	60705007100	Auspuffkrümmer vorne	1
3	60305083161	ENDCAP	1
4	60305008100	Header rear complete	1
5	6040511100033	HEAT PROTECTION BLACK	1
6	58605083014	SCREW M5X14 TORX 25 07	1
7	60305083081	SILICON SLEEVE	1
8	60305083082	SPACER BUSHING	1
9	60305083190	CLAMP SILENCER	1
10	0019080456	countersunk screw M8x45 TX45	2
11	60405069000	conical seat Alu	1
12	78105081010	SCREW TORX M5X10	3
13	61305068000	DAMPING RUBBER	2
16	69005005100	EXHAUST PIPE FLANGE GASKET	2
17	75041090200	LAMBDA SENSOR	2
18	51010086100	self-locking nut M8 Cu	6
19	69008021080	clip nut M5	1
20	61305090000	EXHAUST CLAMP CPL. 60MM	1
21	69005005005	MANIFOLD GASKET	1
22	61305005005	MANIFOLD GASKET 60MM	1
24	69005050000	CLAMP CPL.	1
25	0024060256	HH COLLAR SCREW M6X25 TX30	2
26	0025080456	HH collar screw M8x45 TX40	1
27	60305069000	BUSHING	2
28	60305007015	SHELL EXHAUST PIPE CPL.	1
32	61005091000	DAMP. COMPON. SILICONE GREY 05	4

186070510

49315

* NEW PART

X ON DEMAND



POS	PARTNUMBER	PARTNAME	PIECE
1	60306001200	AIR FILTER HOUSING LOWER PART	1
2	60306002000	AIR FILTER BOX COVER	1
3	60330088100	OIL SEPARATOR	1
4	58031005000	CLAMP YDNAC 10128 12MM	2
5	0017060305	SPECIAL SCREW K60X30 WS=6	8
6	0081050161	EJOT PT SCREW K50X16 1451	6
7	0770021020	O-RING 21,00X2,00 NBR70	1
8	00049140121	CLAMP STD DN14	1
9	60406016000	FILTERCLAMPING FRAME	1
10	60306015100	AIR FILTER	1
11	60341040100	INTAKE TRUMPET LENGTH 100	2
12	0025050256	HH COLLAR SCREW M5X25 ISA30	2
13	60306042010	BUSHING INTAKE TRUMPET	4
14	60406017000	FILTERCLAMPING LINER	1
15	58507012000	O-RING VITON F. PLUG CPC 05	1
16	61041080000	AMBIENT-AIR TEMPERATURE SENSOR	1
17	60330088030	OIL SEPARATOR FOAM HOSE	1
18	60306082000	CLAMP YDNAC 10173 (19MM)	2
19	60406040000	INTAKE DUCT R/S	1
20	60406041000	INTAKE DUCT L/S	1
21	60306040050	GASKET INTAKE DUCT	2
22	0770066025	O-RING 66X2,5 FKM	2
23	61305031000	RETAINING BRACKET SLS	1
24	00050226706	VARIABLE ONE-EAR CLAMP 22,6MM	5
25	00050157706	VARIABLE ONE-EAR CLAMP 15,7MM	2
26	61305035023	SAS HOSE - AIRBOX	1
27	61305035021	SAS HOSE CYLINDER FRONT	1
28	61005026000	CONTROL VALVE SAS 05	1
29	61305035022	SAS HOSE CYLINDER REAR	1
30	60307016000	FUEL HOSE 1 CPL.	1
31	60015019001	HOSE NBR 7X11 PER METER	1
32	61205122000	SAS flange	1
33	61205032000	SAS-FLANGE	1
34	5850701030030	PLUG CPC BLACK 05	1
35	0025080126	HH collar screw M8x12 TX40	1

166040610

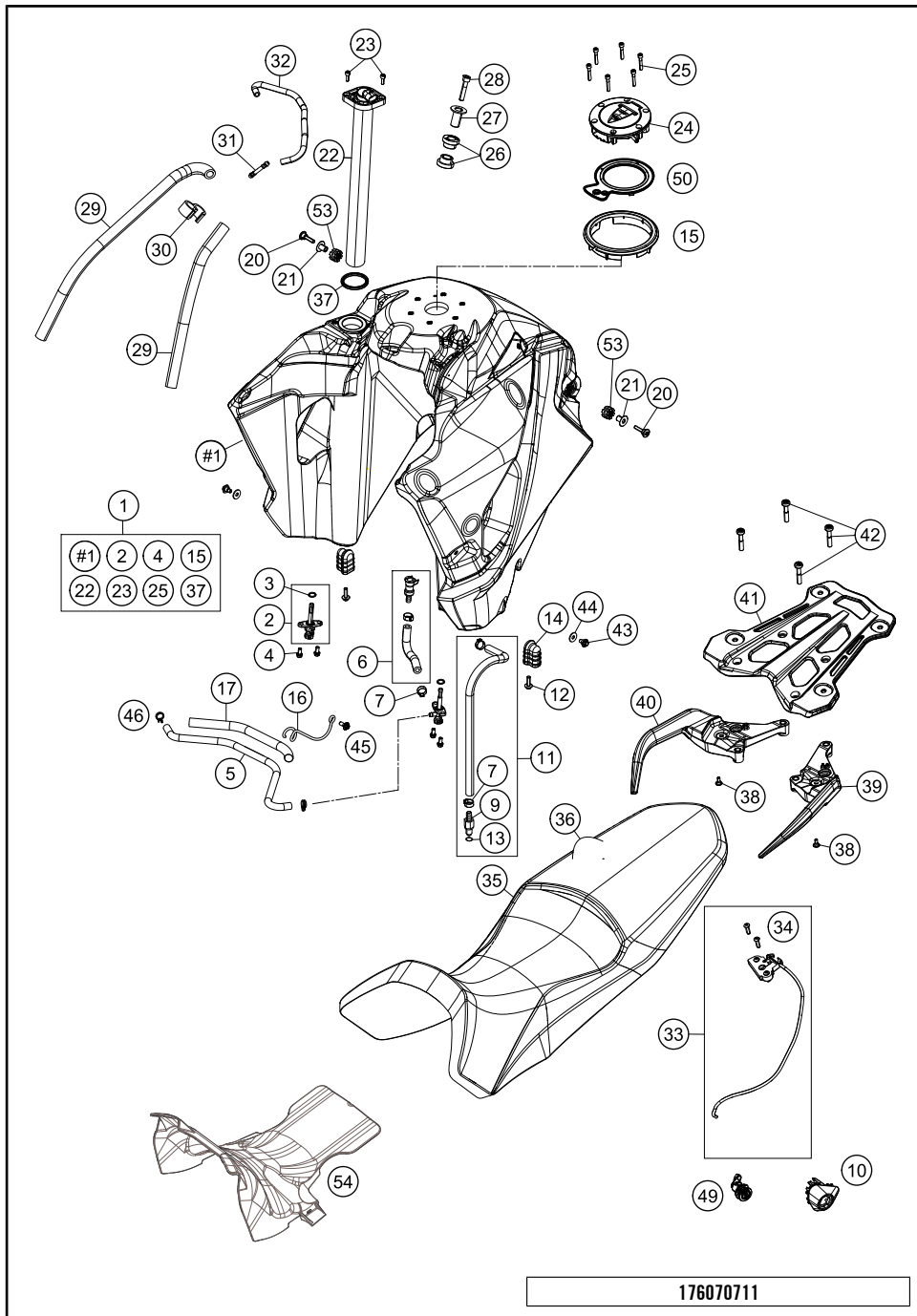
18738

* NEW PART

X ON DEMAND

TANK, SEAT, COVER

1290 Super Adventure R 2018



POS	PARTNUMBER	PARTNAME	PIECE
1	6070701304433	Fuel Tank Adventure cpl.	1
2	58507003200	FUEL COCK CPL.	2
3	0770020130	O-RING 1,78x10,82x14,38 2-013	2
4	0025060126	HH collar screw M6x12 TX30	4
5	60307018000	EXPANSION HOSE FUEL TANK	1
6	60307017000	FUEL HOSE TANK/CONNECTOR	1
7	00050157706	VARIABLE ONE-EAR CLAMP 15,7MM	2
9	5850701030030	PLUG CPC BLACK 05	1
10	60307053000	SEAT LOCK COVER	1
11	60307016050	FUEL PIPE 1	1
12	0024060206	HH collar screw M6x20 TX30	2
13	58507012000	O-RING VITON F. PLUG CPC 05	1
14	60307020000	TANK RUBBER	2
15	60307009000	TANK CAP RING	1
16	60707037000	Drahtbügel für Kraftstoffschl.	1
17	60307016010	HEAT PROTECTION	1
20	60307025000	SPECIAL SCREW M6X32.5 ISA 40	2
21	69007028000	COLLAR BUSH. 6,2X10X21X14MM 08	2
22	60307080000	GAS LEVEL SENSOR	1
23	0912050163	AH SCREW DIN0912-M 5X16	2
24	60707008000	Fuel tank cap race-on	1
25	0912050253	AH SCREW DIN0912-M 5X25	6
26	61007065000	collar bushing, front tank holder	2
27	61007060000	collar bushing, bearing, outside	1
28	0912080403	SHCS DIN 912 M8x40	1
29	60007126001	HOSE 5,4X9,4 NBR, METER	1
30	60038039000	DISTANCE HOLDER 10/10 BLACK	1
31	69015019010	HOSE CONNECTION STRAIGHT	1
32	60307008150	HOSE TANK BREAT.	1
33	60307050000	SEAT LOCK CPL.	1
34	0738060201	FLAT HEAD SCREW ISO7380 M6X20	2
35	60307140100	SEAT R	1
36	60307140050	SEAT COVERING	1
37	60307080090	GASKET FUEL LEVEL SENSOR	1
38	69013099050	SCREW F. EXPANSION TANK	2
39	6031200810030	GRIP L/S BLACK	1
40	6031200920030	HAND GRIP R/S	1
41	6031201000033S	BAGGAGE CARRIER BRIDGE	1

176070711

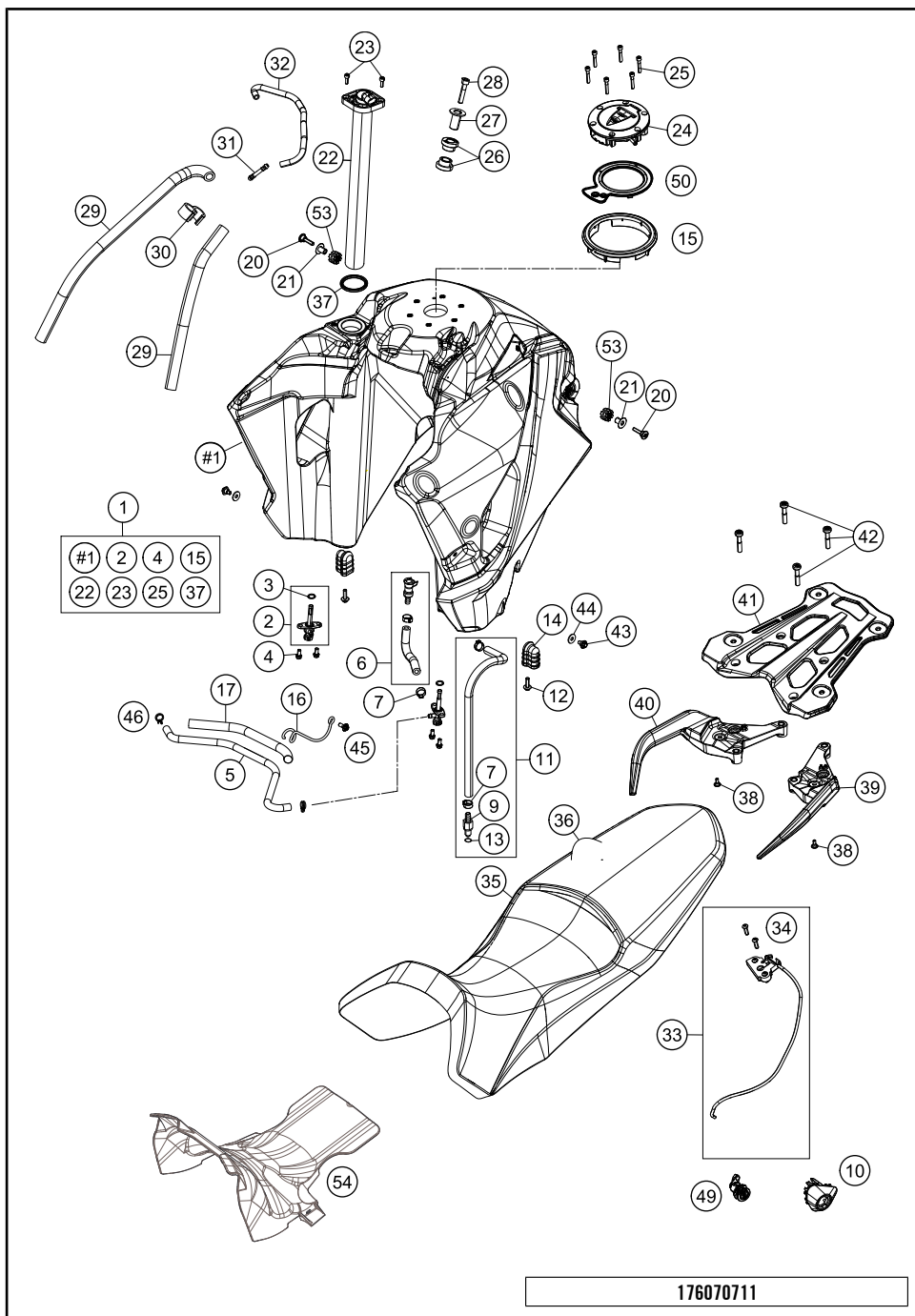
49308

* NEW PART

X ON DEMAND

TANK, SEAT, COVER

1290 Super Adventure R 2018



POS	PARTNUMBER	PARTNAME	PIECE
42	0035080406	AH-COLLAR SCREW M8X40 ISA45	4
43	59001092050	SPECIAL SCREW M6X12,5 WS=8	2
44	0021060003	WASHER DIN9021-A 6,4	2
45	0024060156	HH collar screw M6x15 TX30	1
46	58031005000	CLAMP YDNAC 10128 12MM	2
49	60307050020	LOCK CYLINDER SEAT LOCK	1
50	60307008190	GASKET TANK CAP	1
53	69007027000	rubber grommet, tank mounting	2
54	60707045000	Heat protection shell	1

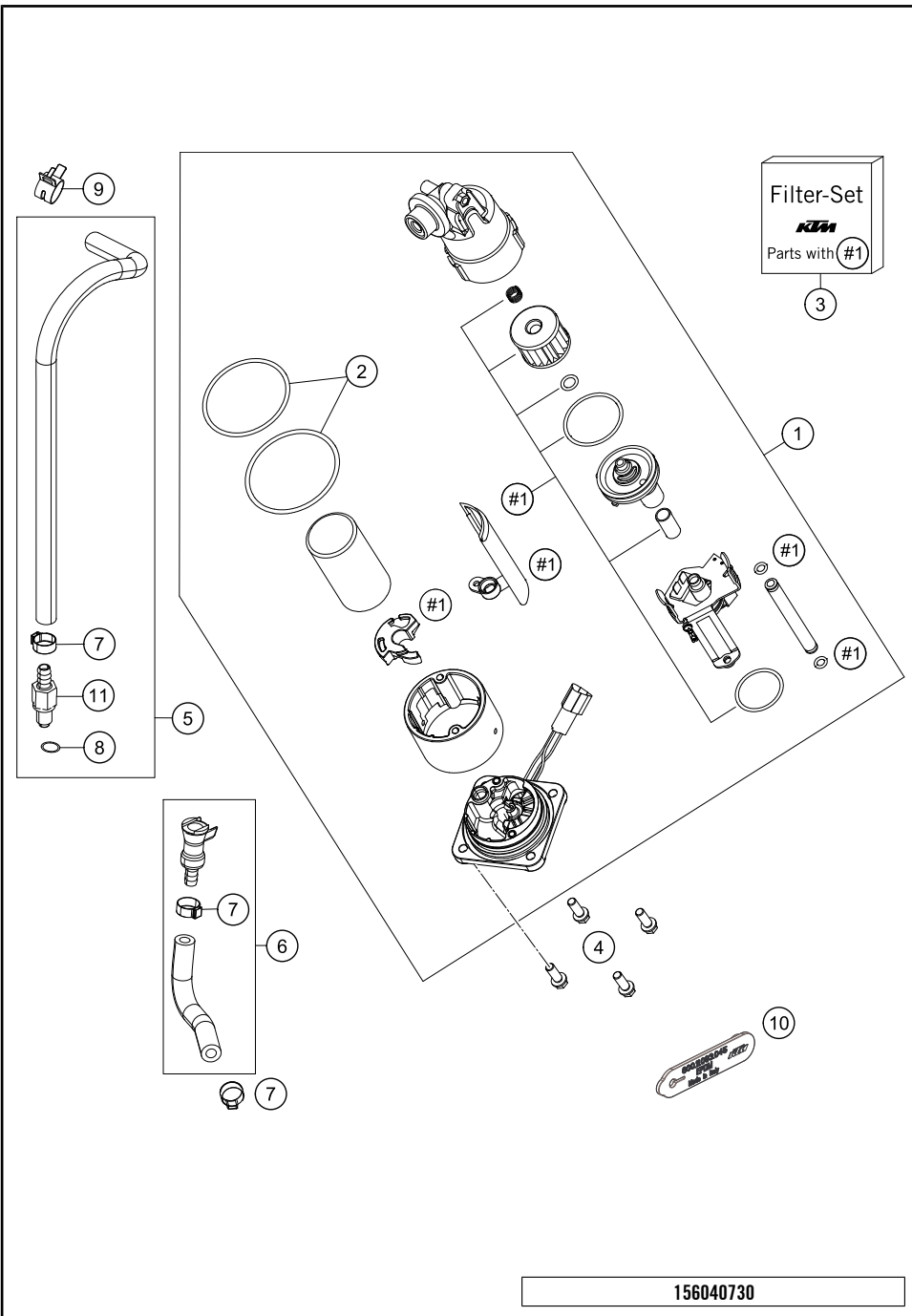
176070711

49308

* NEW PART X ON DEMAND

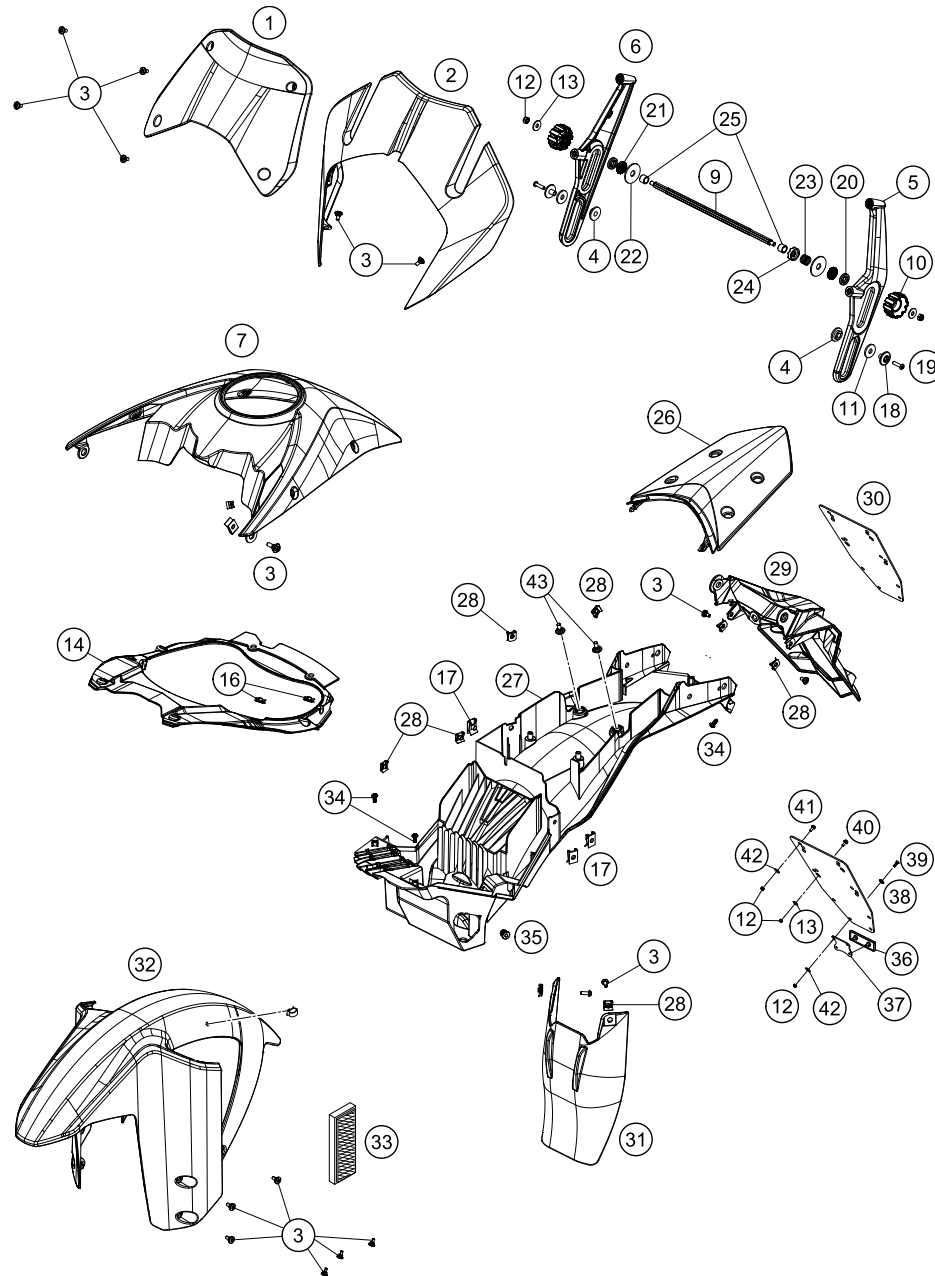
FUEL PUMP

1290 Super Adventure R 2018



POS	PARTNUMBER	PARTNAME	PIECE
1	60307088000	FUEL PUMP	1
2	61007089000	O-RING SET FOR FUEL PUMP 05	1
3	61007090100	FILTER-SET FUEL PUMP	1
4	0025060166	HH collar screw M6x16 TX30	4
5	60307016000	FUEL HOSE 1 CPL.	1
6	60307017000	FUEL HOSE TANK/CONNECTOR	1
7	00050157706	VARIABLE ONE-EAR CLAMP 15,7MM	4
8	58507012000	O-RING VITON F. PLUG CPC 05	1
9	00049140121	CLAMP STD DN14	1
10	60011093045	RUBBER CABLE TIE 45MM 03	1
11	5850701030030	PLUG CPC BLACK 05	1

16036 * NEW PART X ON DEMAND



176070811

POS	PARTNUMBER	PARTNAME	PIECE
1	60708208000	Windshield short EU	1
2	60708001000	Headlight mask	1
3	69008021160	special screw M5x12	28
4	60708008052	Bearing sleeve	2
5	6070800805033	Windshield support left	1
6	6070800805133	Windshield support right	1
7	60308030000EB	Tank fairing	1
9	60708008054	Shaft	1
10	60408008053	ADJUSTING WHEEL	2
11	60708008062	Washer D=24/T=2.5	2
12	0985060003	SELF LOCK. NUT DIN0985-M 6	3
13	0021060003	WASHER DIN9021-A 6,4	2
14	60708105000	Dashboard cover	1
16	69008021080	clip nut M5	14
17	54603048100	clip nut M6	5
18	60708008055	Collared bush	21
19	0738050202	Lens head screw ISO 7380-M5X20A2	2
20	60708008057	Windshield support rubber	2
21	60408008155	GEAR 16TH ADJUSTMENT	2
22	60708008063	Washer D=36/T=2	2
23	60708008067	Spring windshield	1
24	60708008065	Toothed disk	1
25	60708008064	Plain bearing	2
26	6030801300033	REAR FENDER	1
27	60308019200	Tail end lower part	1
28	54603048200	RANGE CHANGE METAL NUT M5	2
29	60308015000	NUMBER PLATE SUPPORT	1
30	60012081200	license plate mouning plate	1
31	60304050000	SPLASH PROTECTION	1
32	6030801000033	FRONT FENDER	1
33	60012080100	SIDE REFLECTOR YELLOW "CEV"	2
34	0081050121	EJOT PT screw K50x12	4
35	60308095000	EJOFORM DELTASERT M6 AL	1
36	58412080200	reflector, red	1
37	58412080050	BRACKET FOR REFLECTOR	1
38	40006006000	WASHER 6MM	2
39	0966050163	OVAL HEAD SCREW DIN0966-M 5X16	2
40	0024060156	HH collar screw M6x15 TX30	2

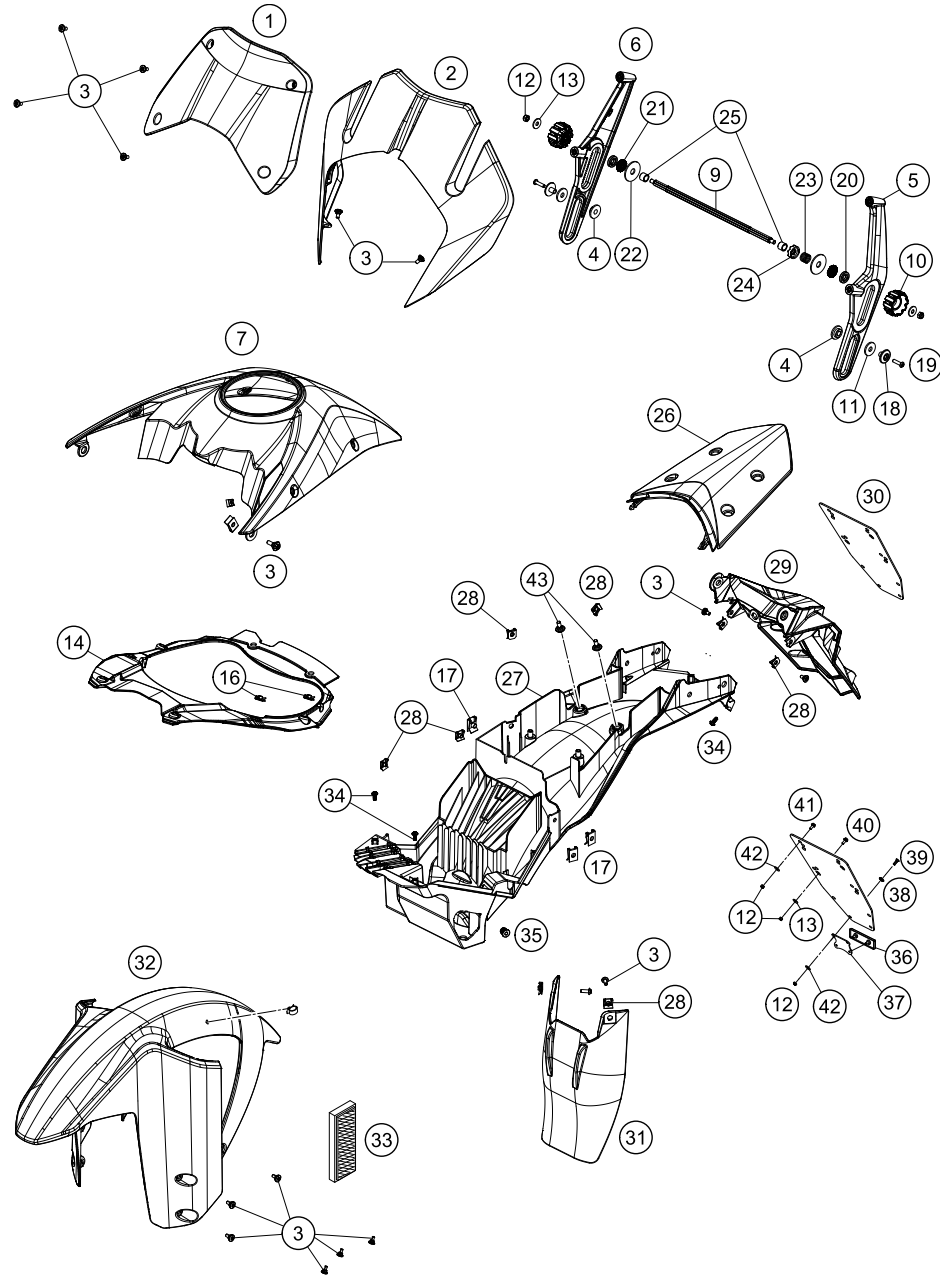
18875

* NEW PART

X ON DEMAND

MASK, FENDERS

1290 Super Adventure R 2018



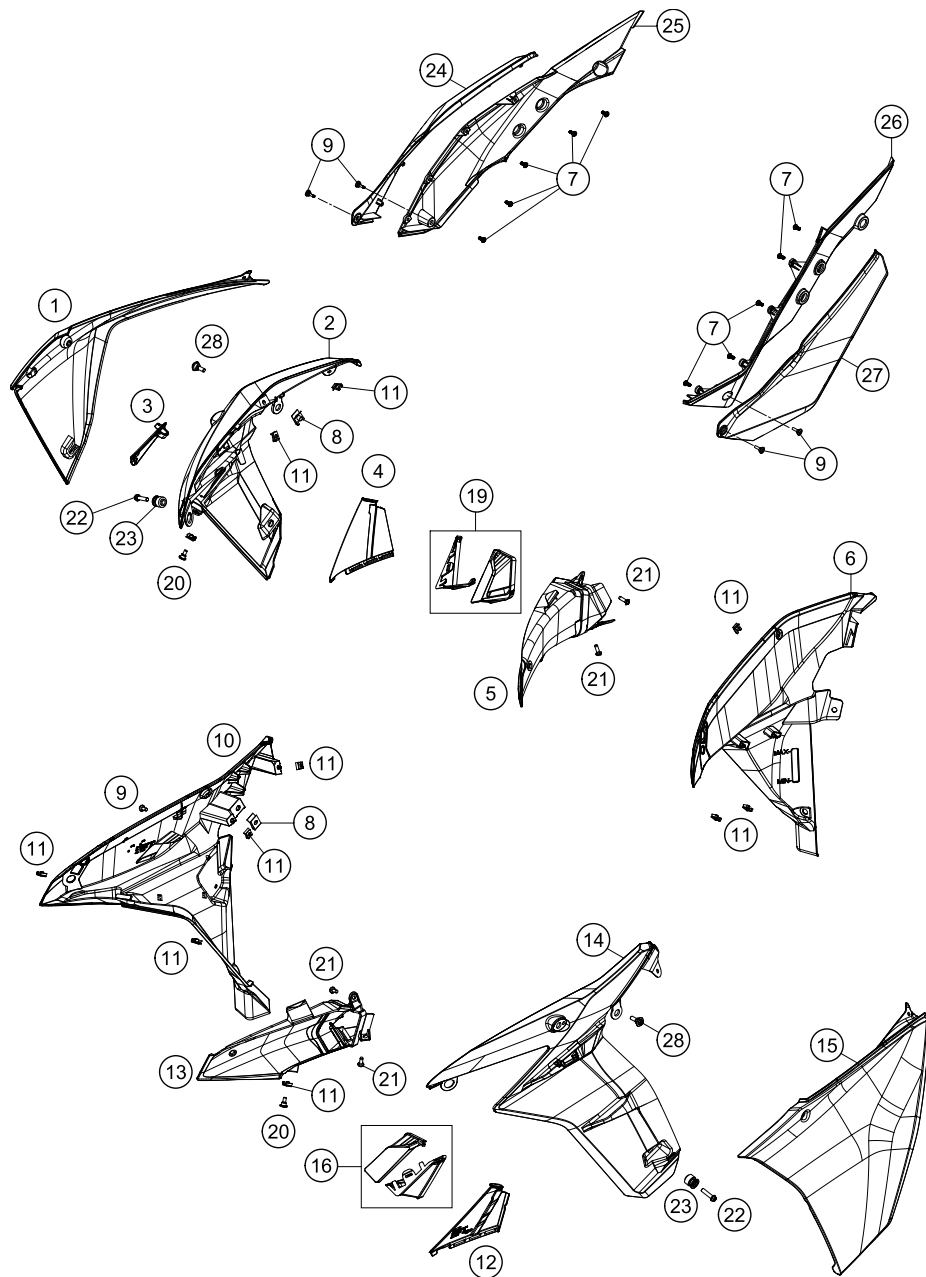
POS	PARTNUMBER	PARTNAME	PIECE
41	0024060206	HH collar screw M6x20 TX30	2
42	0125060003	WASHER DIN0125-A 6,4	2
43	83008000015	SPECIAL SCREW M6X15X3	2

176070811

18875

* NEW PART

X ON DEMAND



176070821

POS	PARTNUMBER	PARTNAME	PIECE
1	60708051000AB	Spoiler right white	1
2	6070810300033	Fairing right	1
3	6070810201033	Maintenance cover	1
4	60708103060	Cover for right intake port	1
5	6070810305033	Air intake right	1
6	60708126000	Inner cover right	1
7	0081045121	SCREW FOR PLASTIC K45X12 T20	10
8	54603048100	clip nut M6	2
9	69008021160	special screw M5x12	9
10	60708125000	Inner cover left	1
11	69008021080	clip nut M5	10
12	60708102060	Cover for left intake port	1
13	6070810205033	Air intake left	1
14	6070810200033	Fairing left	1
15	60708050000AB	Spoiler left white	1
16	6070604403333	Cover intake duct le. cpl.	1
19	6070604503333	Cover intake duct right cpl.	1
20	69007025014	Special screw M5X14 ISA30	2
21	0081050161	EJOT PT SCREW K50X16 1451	4
22	0025060256	HH collar screw M6x25 TX30	2
23	60708050010	Bushing	2
24	60308042000AB	Tail spoiler right white	1
25	6030804400033	REAR SIDE COVER RIGHT	1
26	6030804300033	REAR SIDE COVER LEFT	1
27	60308041000AB	Tail spoiler left white	1
28	83008100020	SCREW M6X20X5,5	2

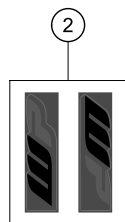
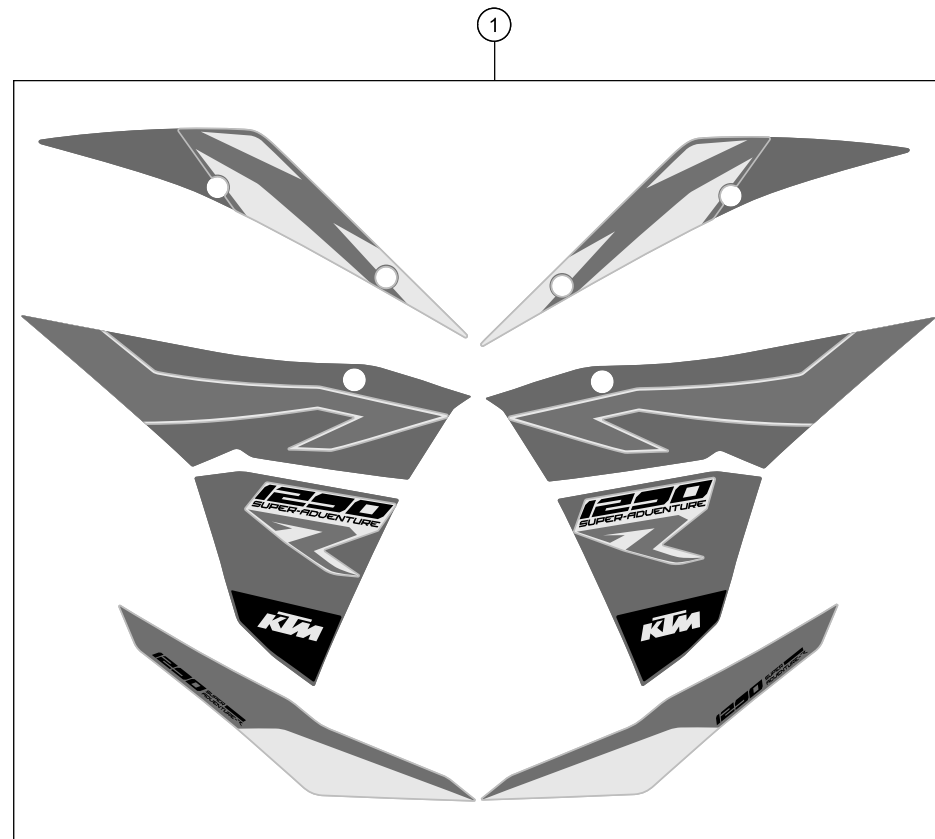
18876

* NEW PART

X ON DEMAND

DECAL

1290 Super Adventure R 2018



POS	PARTNUMBER	PARTNAME	PIECE
1	60708199000	Decal set 1290 Adventure R	1
2	52000147	Stickerkit fork 175x45	1

176070832

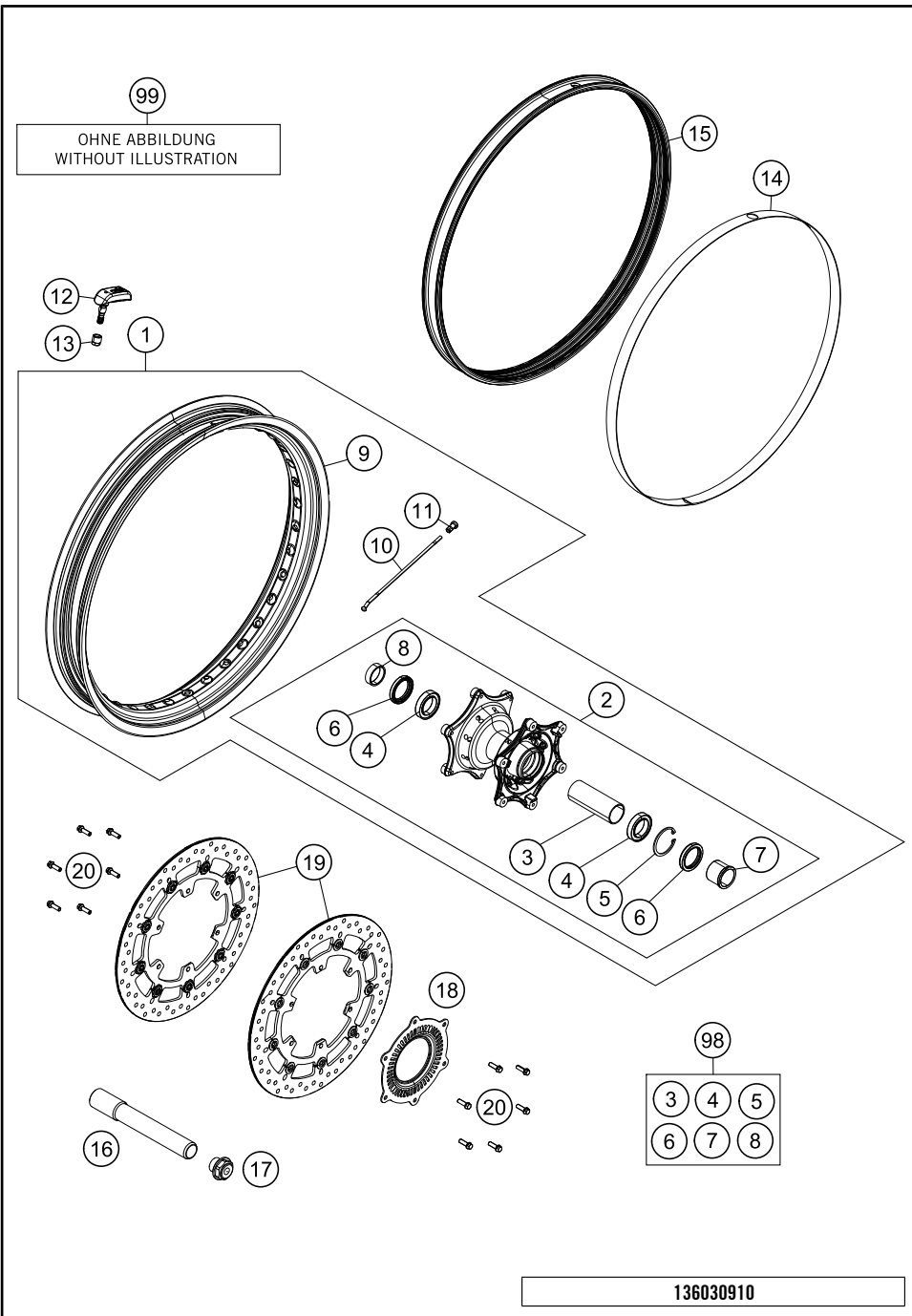
18887

* NEW PART

X ON DEMAND

FRONT WHEEL

1290 Super Adventure R 2018



POS	PARTNUMBER	PARTNAME	PIECE
1	6030900124433A	Front wheel cpl. 2,5X21" BLACK	1
2	6030901014433	FRONT HUB CPL.	1
3	60309011000	BUSHING SPACER TUBE FRONT	1
4	0625069068	GR.BALL BEAR.6906 DDU2CG23S6NM	2
5	0472047175	CIRCLIP DIN0472-47X1,75	1
6	0760354771	SHAFT SEAL RING 35X47X7 TC	2
7	60309012000	SPACER BUSH. FRONT WHEEL LEFT	1
8	60009013000	SPACER BUSH. FR. WHEEL R/S 03	1
9	6030917010033A	Rim 2.5x21"TL.bl.w.sticker	1
10	60309071000	SPOKE 5/4.37/M5	36
11	60310072100	SPOKE NIPPLE QUADRAX M5	36
12	60312033000	TIRE AIR PRESSURE SENSOR	1
13	60312033050	NUT AIR PRESSURE SENSOR	1
14	60309073100	RIM BAND 21"	1
15	60309177000	GASKET RUBBER 2.5"X21"	1
16	60309081000	AXLE FRONT	1
17	6900103600001	STEERING HEAD SCREW 09	1
18	60342020000	SENSOR GEAR ABS	1
19	6030906000030	BRAKE DISC FRONT D=320X4,5	2
20	59009062019	SPECIAL SCREW M6X19 WS=8 10.9	12
98	60309015000	FRONT WHEEL REP. KIT ADV 13-14	x
99	60312034044	VALVE KIT AIR PRESSURE SENSOR	1

136030910

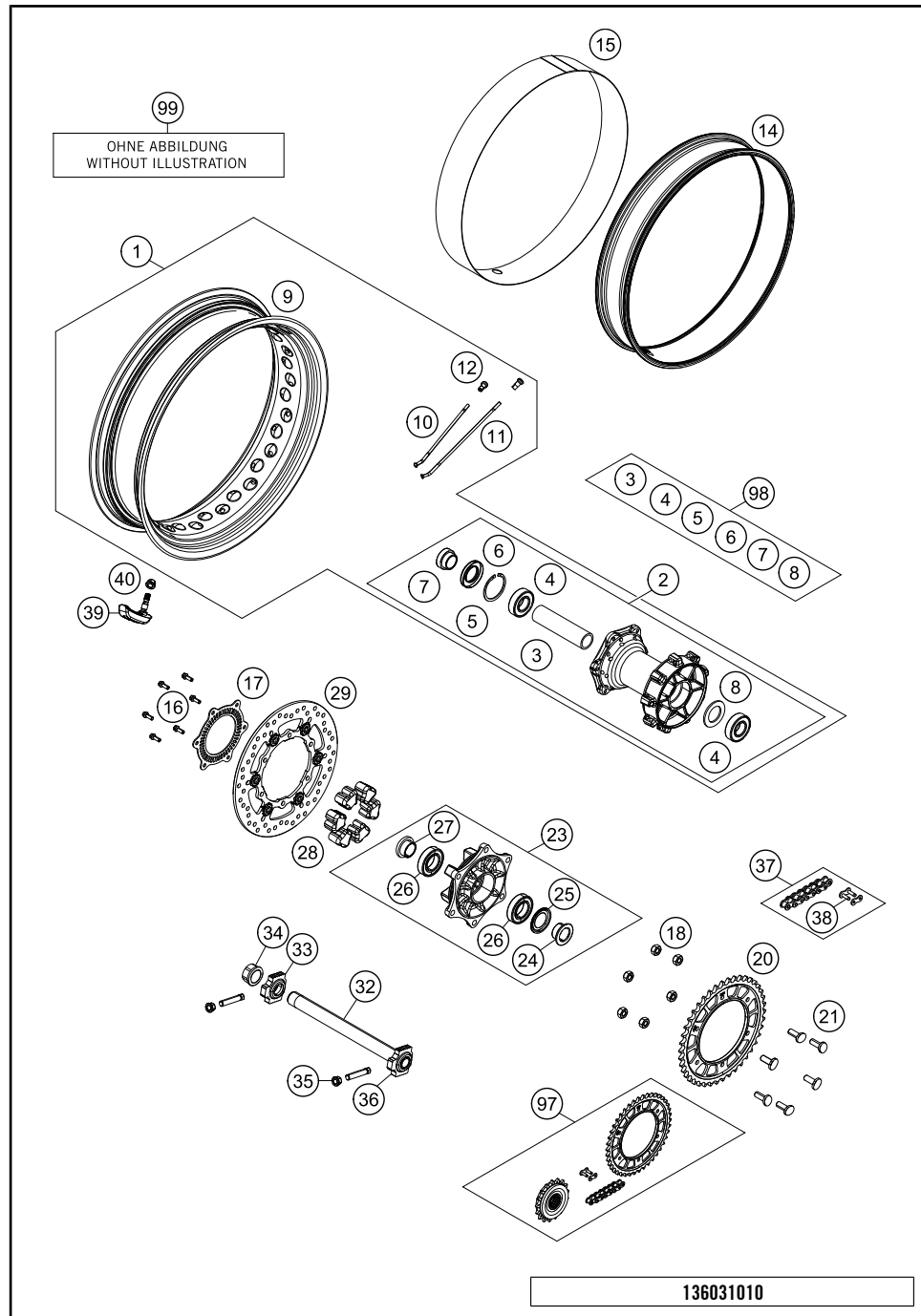
18880

* NEW PART

X ON DEMAND

REAR WHEEL

1290 Super Adventure R 2018



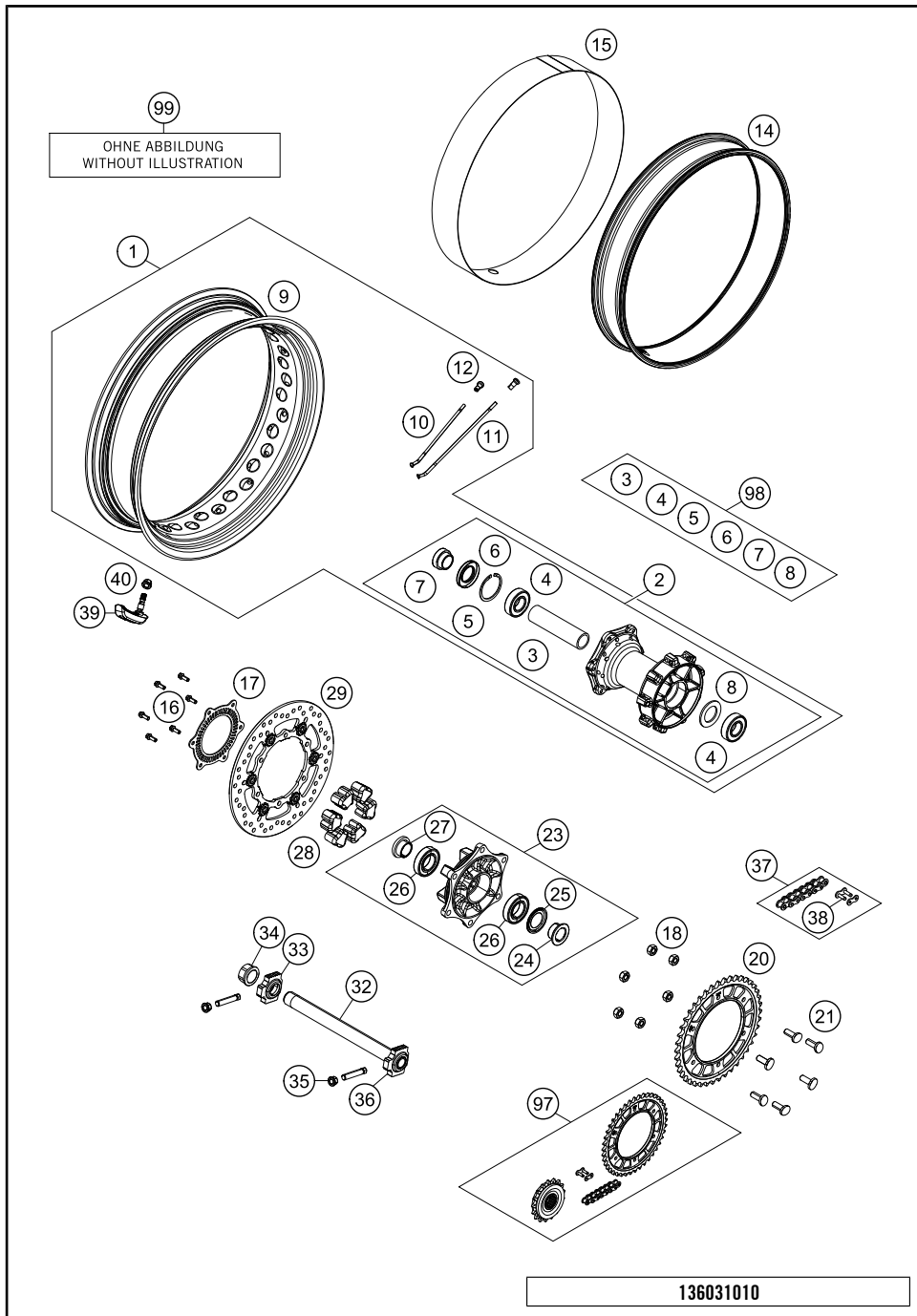
POS	PARTNUMBER	PARTNAME	PIECE
1	6031000124433A	Rear wheel cpl. 4.5X18"	1
2	6031001014433	REAR HUB CPL.	1
3	60010011000	BEAR. SPACERTUBE L=124,8MM 03	1
4	0625062052	GR.BALL BEAR. 6205-2RSHC3HMTF7	2
5	0472052200	CIRCLIP DIN0472-52X2	1
6	0760305271	SHAFT SEAL RING 30X52X7	1
7	60310013000	SPACER BUSHING REAR WHEEL R/S	1
8	60010015000	SPACER RING 03	1
9	6031007010033A	Rim 4,5x18" TL bl.w.sticker	1
10	60310171000	SPOKE 5/4.37/M5	18
11	60310071000	SPOKE 5/4.37/M5	18
12	60310072100	SPOKE NIPPLE QUADRAX M5	36
14	60310177100	GASKET RUBBER 4.5"X18"	1
15	60310073100	RIM BAND 18"	1
16	59009062016	SPECIAL SCREW M6X16 WS=8 10.9	6
17	60142021100	SENSOR GEAR ABS REAR	1
18	0980101253	HEXAG.NUT DIN 980V M10X1,25 SL	6
20	60010051042	REAR SPROCKET 42-T 03	1
21	60010052000	SPROCKET SCREW M10X1,25 03	6
23	6011005004433	SPROCKET SUPPORT CPL. BLACK	1
24	60110012000	SPACER BUSH. SPROCKET SUPP. 06	1
25	60110016000	NILOS RING 6006AV	1
26	0625060060	BALL BEARING 6006 DDU2CG23S6NM	2
27	60110014000	SPACER BUSH. SPR. SUPP. IN. 06	1
28	54610459000	RUBBER DAMPING BLOCK '91	6
29	6031006000030	BRAKE DISK REAR	1
32	60310081044	AXLE REAR CPL.	1
33	60010084000	CHAIN TENSIONER R/S LC8 03	1
34	61010086000	COLLAR NUT M25X1,5 WS=32 05	1
35	58414030000	HH COLLAR NUT M10X1,25 WS=13	2
36	50304040100	screw M10x1.25x50 WS10	2
37	60410165118	CHAIN 525 SDZZ WITH MAST. LINK RIVET TOOL NECESSARY	1
38	60410066000	MASTER LINK F.CHAIN 525 SDZZ	x
39	60312033000	TIRE AIR PRESSURE SENSOR	1
40	60312033050	NUT AIR PRESSURE SENSOR	1
97	00050002013	DRIVETRAIN KIT ADV/-S 17T/42T	x

* NEW PART

X ON DEMAND

REAR WHEEL

1290 Super Adventure R 2018

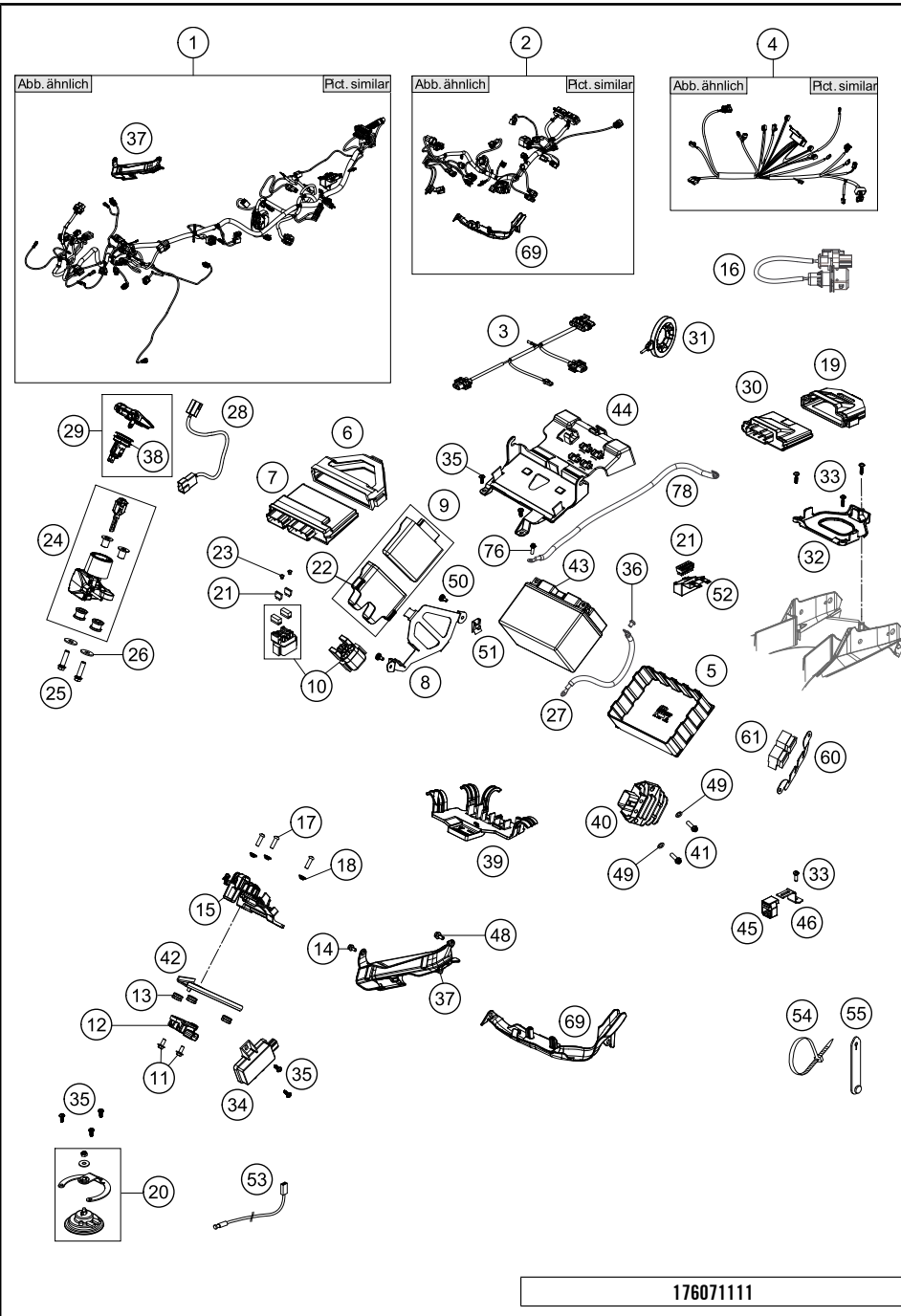


POS	PARTNUMBER	PARTNAME	PIECE
98	60310015000	REAR WHEEL REP. KIT ADV 13-14	x
99	60312034044	VALVE KIT AIR PRESSURE SENSOR	1

18881

* NEW PART

X ON DEMAND



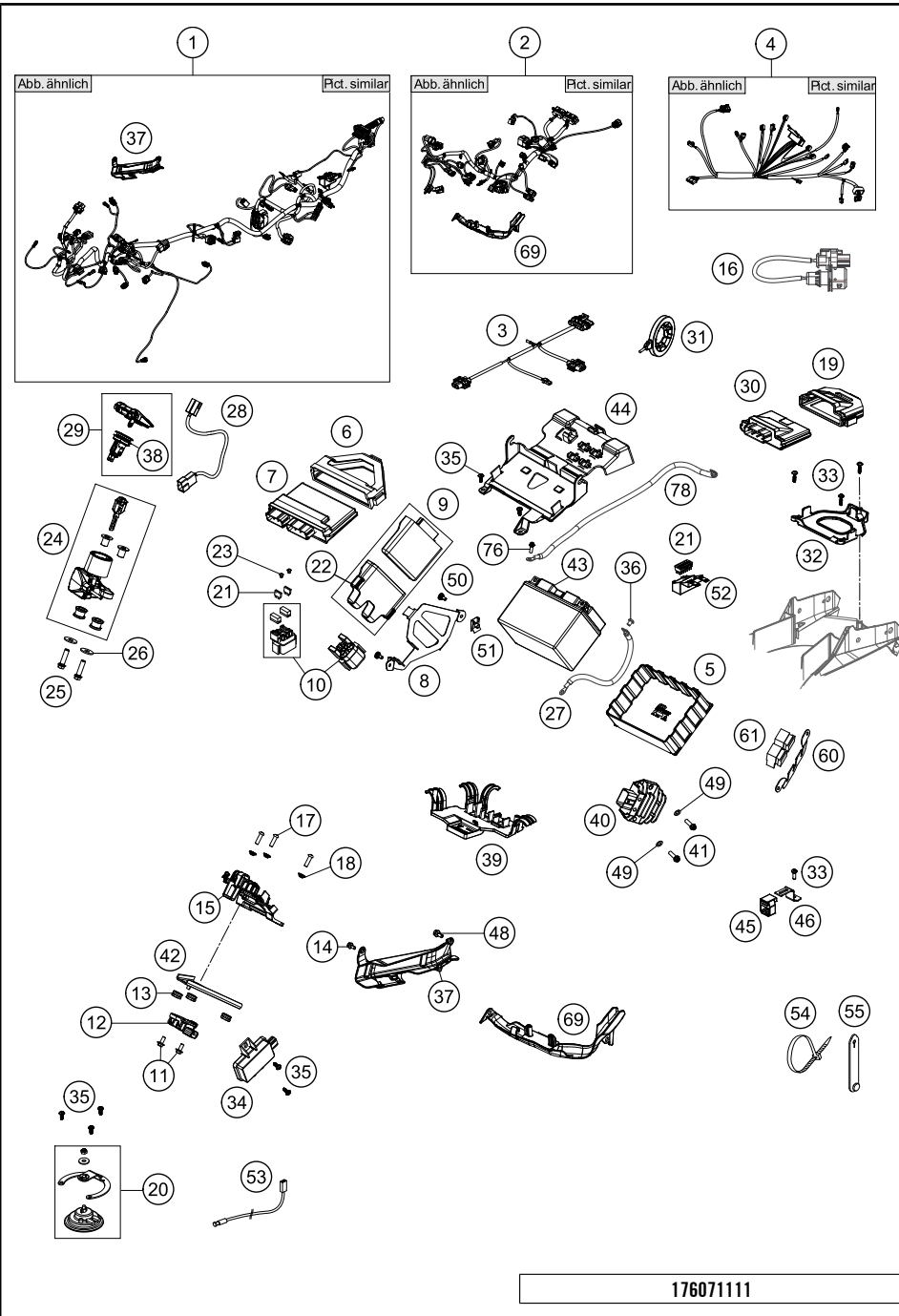
POS	PARTNUMBER	PARTNAME	PIECE
1	60711175033	Main wiring harness R cpl.	1
2	60711085000	Wiring harness	1
3	60311079000	WIRING HARNESS HEAD LIGHT	1
4	60311076000	REAR WIRING HARNESS	1
5	60311053050	BATTERIE HOUSING	1
6	60341031050	ECU RUBBER BRACKET	1
7	61341031300	Control unit EFI	1
8	60311057050	BRACKET ELECTRIC	1
9	60416031000	ELECTRONIC CONTROL UNIT SAFE	1
10	58211058000	STARTER RELAY 12V '99	1
11	0024060136	HH collar screw M6x13 TX30	2
12	60342090000	SLOPING POSITIONS SENSOR	1
13	62142041000	DAMP. COMPONENT ABS MODUL	3
14	69008021160	special screw M5x12	2
15	60711048000	Connector support front	1
16	60411078050	Wiring harness	1
17	0738060201	FLAT HEAD SCREW ISO7380 M6X20	3
18	76508043050	COLLAR BUSHING	3
19	60711033050	Rubber band	1
20	60711060033	Direct current horn complete	1
21	58011109140	FUSE 40 A	x
21	58011109130	FUSE 30 A	x
21	58011109125	FUSE 25 A	x
21	58011109115	FUSE 15 A	x
21	58011109110	FUSE 10 A 2000	x
22	60316029000	RUBBER EDS-CONTROL UNIT	1
23	0902060083	AH OVAL SCREW ISO 7380 M 6X8	2
24	60711066000	Ignition lock Race-on 868MHz	1
25	0025080306S	HH COLLAR SCREW M8X30 TX40	2
26	0021080003	WASHER DIN9021-A 8,4	2
27	60311059050	BATTERIE CABLE	1
28	60711042050	Cable	1
29	60714013033B2	Power socket complete silver	1
30	60711033000	Control unit MCU 3.0	1
31	69011168000	Antenna keyless	1
32	60708019010	Support	1
33	0081050181	SCREW FOR PLASTIC K50X18 T20	4
34	60312032000	RECEIVER AIR PRESSURE SENSOR	1

176071111

18879

* NEW PART

X ON DEMAND



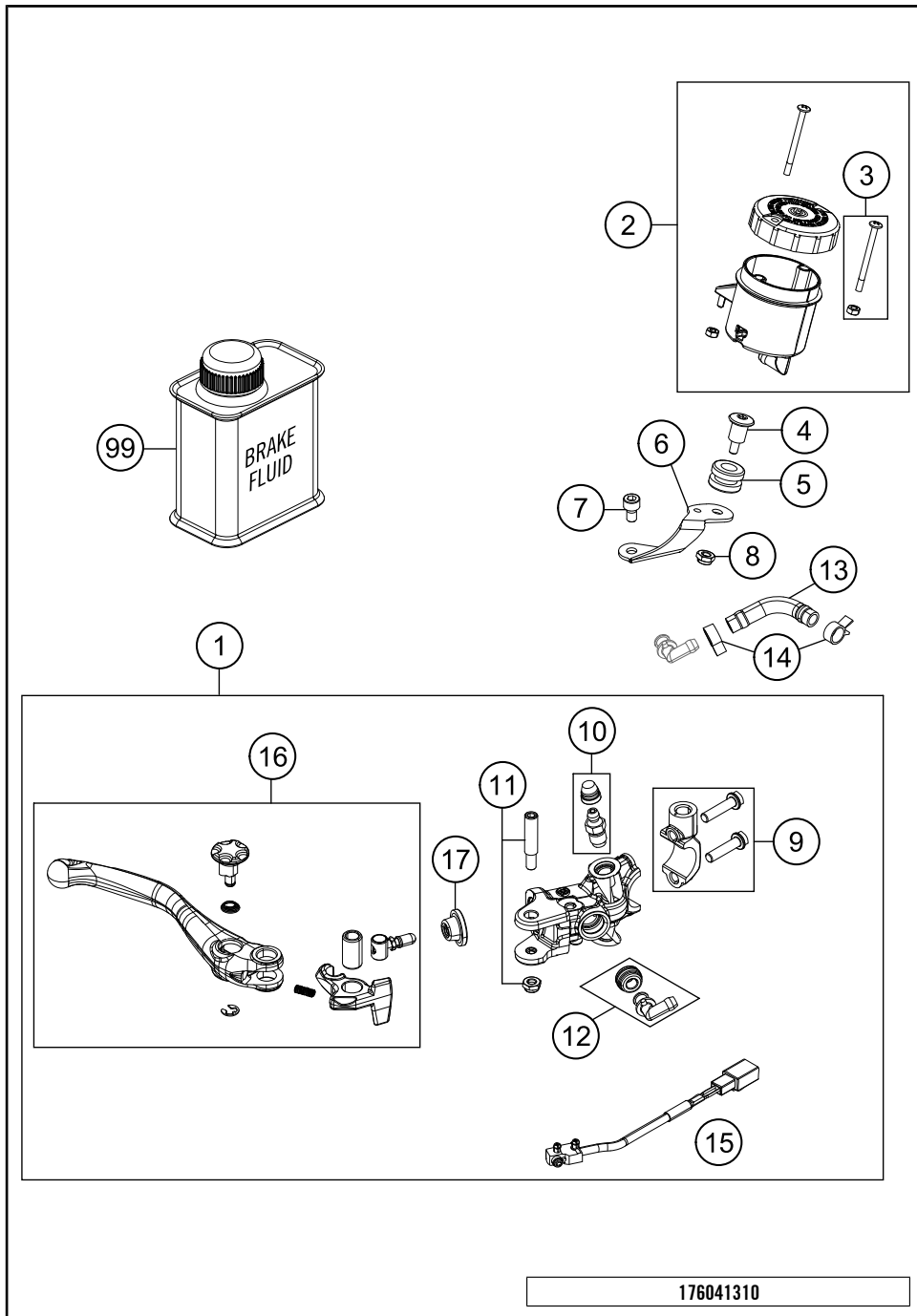
POS	PARTNUMBER	PARTNAME	PIECE
35	0081050121	EJOT PT screw K50x12	7
36	0902060083	AH OVAL SCREW ISO 7380 M 6X8	2
37	60311047000	CABLE CHANNEL R/S	1
38	60711042000	Power socket 12V	1
39	60311049200	Plug board rear	1
40	60311034000	VOLTAGE REGULATOR	1
41	0025060206	HH collar screw M6x20 TX30	2
42	60342090040	BRACKET SLOPING POSITIONS SENS	1
43	60011053000	BATTERY 12V/11AH 03	1
44	60308017000	BATTERIE COVER	1
45	61041085050	RUBBER SUPP. PRESSURE SENS. 05	1
46	60311040100	BRACKET PRESSURE SENSOR	1
48	0023060123	COLLAR SCREW M6X12 TX	1
49	60007020040	PLASTIC WASHER 03	2
50	0025050126	HH collar screw M5x12 TX30	2
51	54603048200	RANGE CHANGE METAL NUT M5	2
52	58411087050	RUBBERCOVER F.LOCKHOLDER	1
53	61111018100	TEMPERATURE SENSOR	1
54	44011076140	CABLE TIE 140/2,5MM BLACK	x
54	44011076200	CABLE TIE 200/3,6MM BLACK	x
54	44011076305	CABLE TIE 300/4,8MM BLACK	x
55	60011093045	RUBBER CABLE TIE 45MM 03	x
55	60011093060	RUBBER CABLE TIE 60MM 03	x
55	60011093075	RUBBER CABLE TIE 75MM 03	x
60	60711057050	Retaining bracket	1
61	61111057000	RELAY CM1A-R-12V-H80 07	2
69	60311046000	CABLE CHANNEL L/S	1
76	0025050166	HH collar screw M5x16 TX30	3
78	60311097000	GROUND CABLE	1

176071111

18879

* NEW PART

X ON DEMAND



POS	PARTNUMBER	PARTNAME	PIECE
1	6201310110030	Hand brake cylinder complete	1
2	61013009202	BRAKE FLUID RESERV. WHITE CPL.	1
3	61013009203	SCREW + NUT F. RESERVOIR	1
4	61013013050	SCREW RET.PANEL-RESERVOIR	1
5	61013013000	RUBBER BUSH 05	1
6	61013009001	RET.PANEL FLUID RES. FRONT 05	1
7	61013021000	SCREW RET.PANEL-BRAKE CYLINDER	1
8	61013009004	NUT FOR RESERVOIR	1
9	61013005000	CLAMP CPL. 05	x
9	76013005100	CLAMP CPL. 16	1
10	60013020000	BLEEDER SCREW WITH CAP	1
11	61013006000	LEVER SCREW CPL. 05	1
12	54513155000	ANGLE PIECE	1
13	58007016101	HOSE FOR RESERVOIR 6X1,5	1
14	58007017000	YDNAC CLAMP 10101 (10,4MM)	2
15	60311050000	BRAKE LIGHT SWITCH FRONT	1
16	6251300214430	HAND BRAKE LEVER CPL. BLACK	1
17	61013008000	RUBBER CUP 05	1
99	00062030000	BRAKE FLUID DOT5.1 0,25L	1

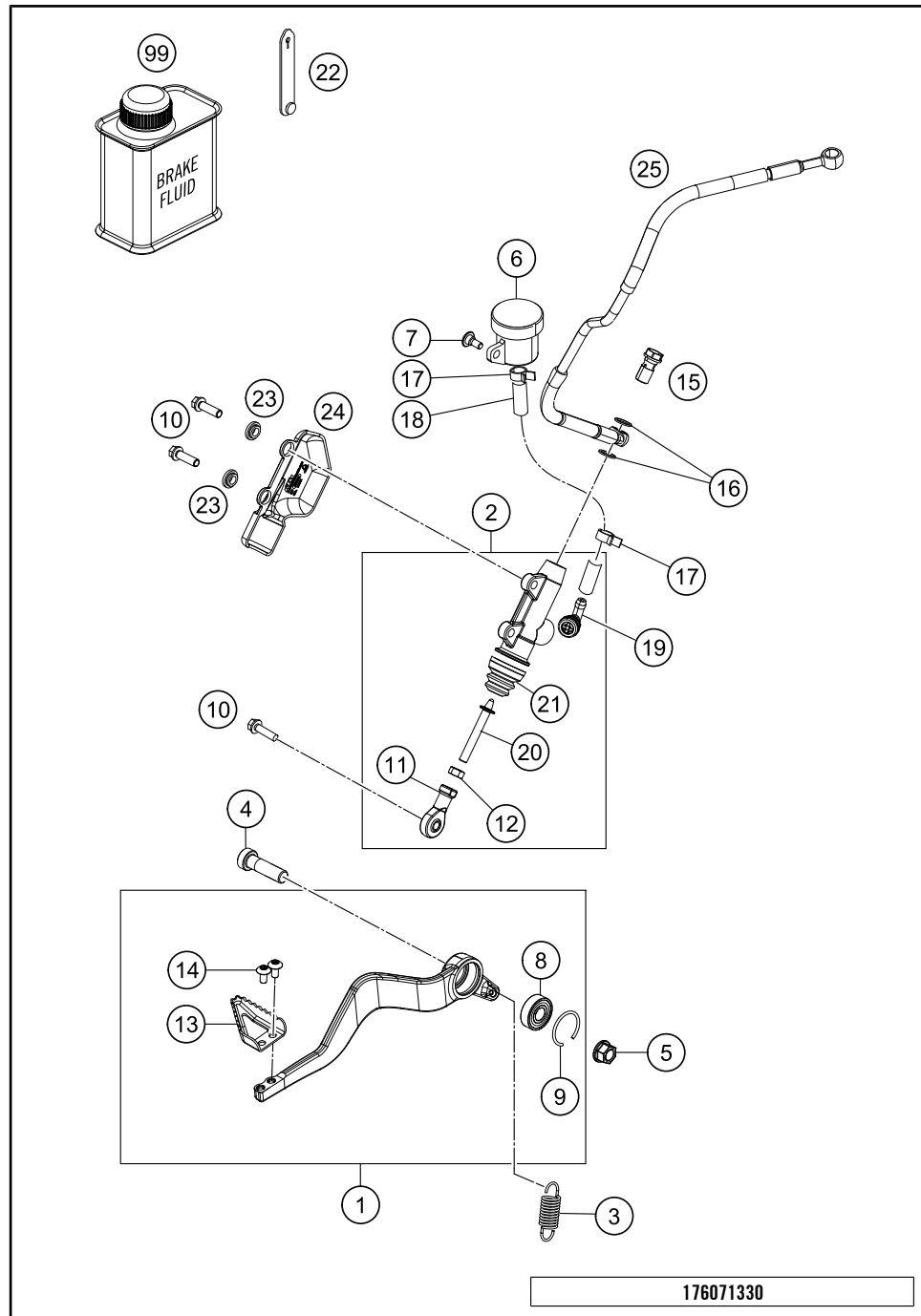
176041310

18837

* NEW PART X ON DEMAND

REAR BRAKE CONTROL

1290 Super Adventure R 2018



POS	PARTNUMBER	PARTNAME	PIECE
1	6031305004433S	FOOT BRAKE LEVER KPL.	1
2	6031306000030	REAR BRAKE CONTROL	1
3	54603062100	RETURN SPRING FOR BRAKE LEVER	1
4	0032100356S	AH-COLLAR SCREW M10X35 ISA45	1
5	54630044000	COLLAR NUT M10 WS=13	1
6	54513030044	BRAKE FLUID RESERVOIR '89	1
7	69013099050	SCREW F. EXPANSION TANK	1
8	0625060002	deep groove ball bearing SKF 6000-2RS1	1
9	0993026500	round wire snap ring DIN 7993 B - 26	1
10	0025060206	HH collar screw M6x20 TX30	3
11	54603069000	SWIVEL HEAD M6 FOOT BRAKE LEV.	1
12	0934060003	hex nut DIN 934 M6	1
13	60313051000	STEP PLATE FOOT BRAKE LEVER	1
14	78105081010	SCREW TORX M5X10	2
15	62113020100	banjo bolt M10x1x19.5	1
16	0603100141	sealing ring DIN 7603 10x14x1	2
17	58007017000	YDNAC CLAMP 10101 (10,4MM)	2
18	69013069001	HOSE FOR RESERVOIR 6X1,5	1
19	54513155000	ANGLE PIECE	1
20	60313056044	PUSH ROD CPL.	1
21	54513151000	RUBBER SLEEVE	1
22	60011093045	RUBBER CABLE TIE 45MM 03	1
23	50213161000	COLLAR BUSHING	2
24	54513038000	BRAKE CYL. PROTECTOR "BREMBO"	1
25	60342001000	BRAKE HOSE REAR BRAKE CONTROL	1
99	00062030000	BRAKE FLUID DOT5.1 0,25L	1

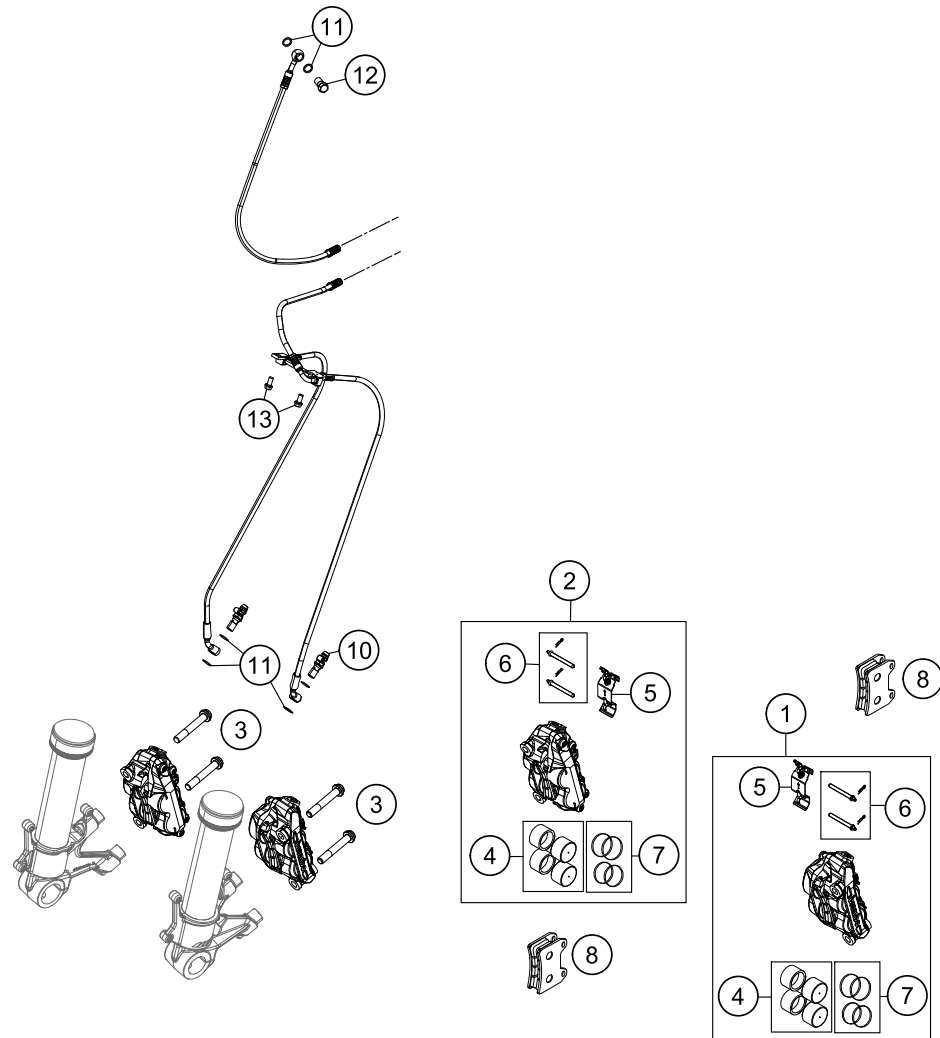
176071330

18838

* NEW PART X ON DEMAND

FRONT BRAKE CALIPER

1290 Super Adventure R 2018



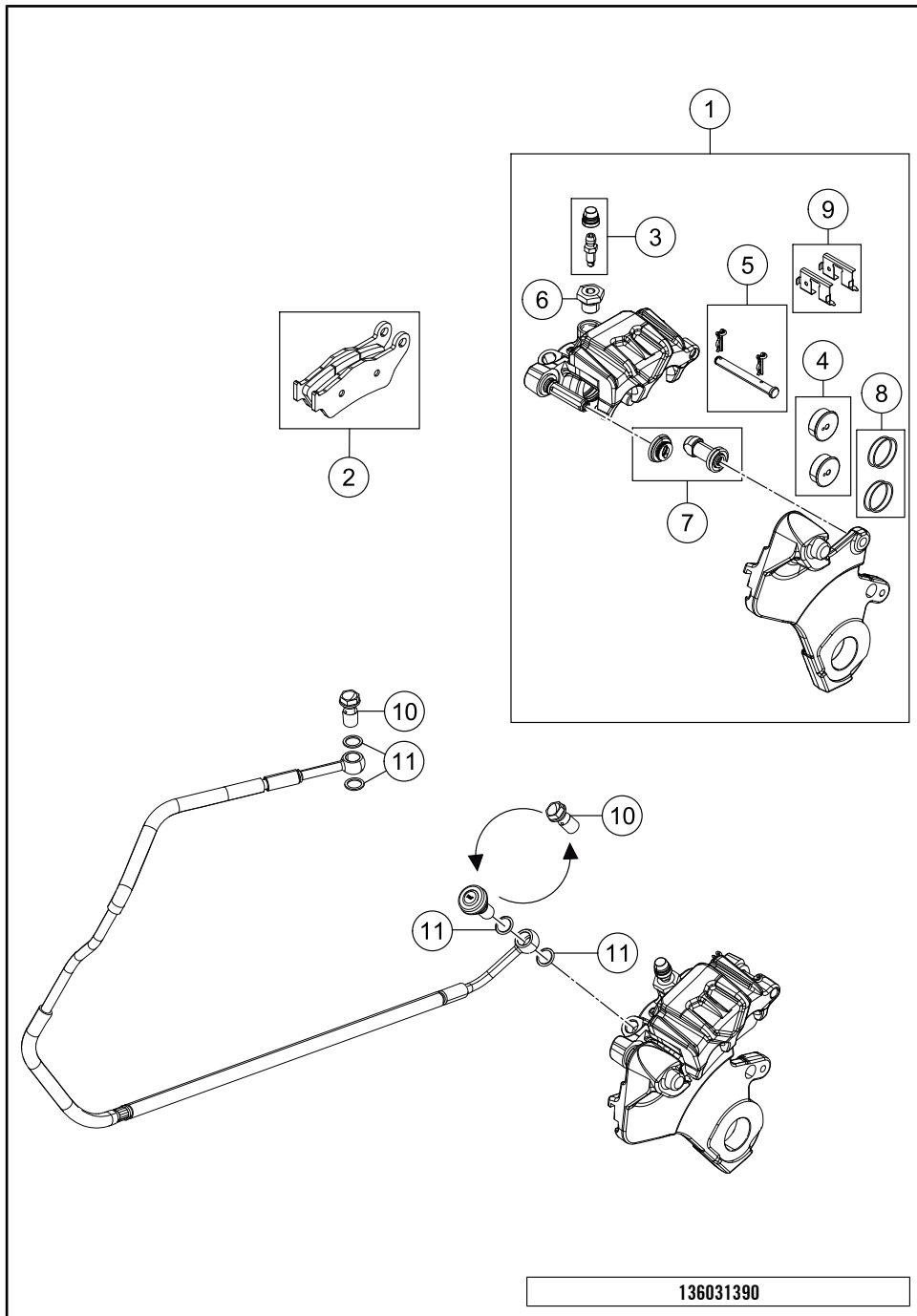
POS	PARTNUMBER	PARTNAME	PIECE
1	6031301500130	BRAKE CALIPER FR. L/S W/O PADS	1
2	6031301600130	BRAKE CALIPER FR. R/S W/O PADS	1
3	0035100559S	AH-COLLAR SCREW M10X1,25X55SS	4
4	76013019000	BRAKE PISTON CPL.	2
5	58713018000	RETAINING SPRING BREMBO '99	2
6	58713017000	BOLT WHITH CLIP '99	2
7	76013019050	REPAIR KIT SEALING RINGS 4X	2
8	60313130000	BRAKE PADS FRONT TT2172	2
10	62513020000	BLEEDER SCREW CPL. 05	2
11	0603100141	sealing ring DIN 7603 10x14x1	6
12	62113020100	banjo bolt M10x1x19.5	1
13	0025060126	HH collar screw M6x12 TX30	2

136031360

13213

* NEW PART

X ON DEMAND

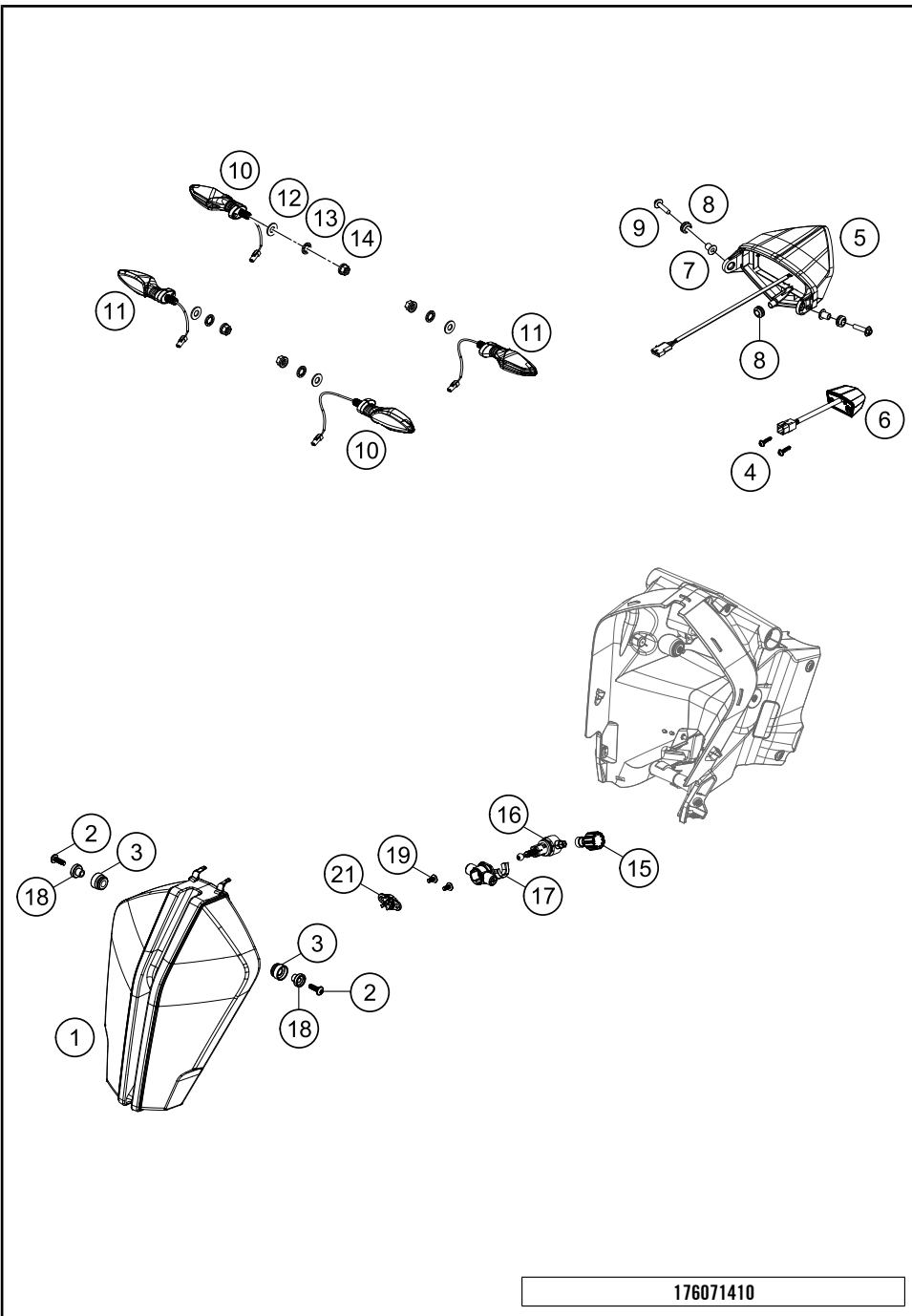


POS	PARTNUMBER	PARTNAME	PIECE
1	6031308010130	BRAKE CALIPER REAR W/O PADS	1
2	50313030000	BRAKE PAD SET FR. TOSHIBA H38	1
3	60013020200	BLEEDER SCREW WITH CAP M6	1
4	60013083200	BRAKE PISTONS 05	1
5	77013017000	BOLT CPL. 09	1
6	60013020100	ADAPTER SCREW	1
7	54613218000	CUP SET SHORT	1
8	60013081000	REP.KIT SEALING RINGS	1
9	60013018100	RETAINING PLATE SET REAR 03	1
10	62113020100	banjo bolt M10x1x19.5	2
11	0603100141	sealing ring DIN 7603 10x14x1	4

136031390

13216

* NEW PART X ON DEMAND

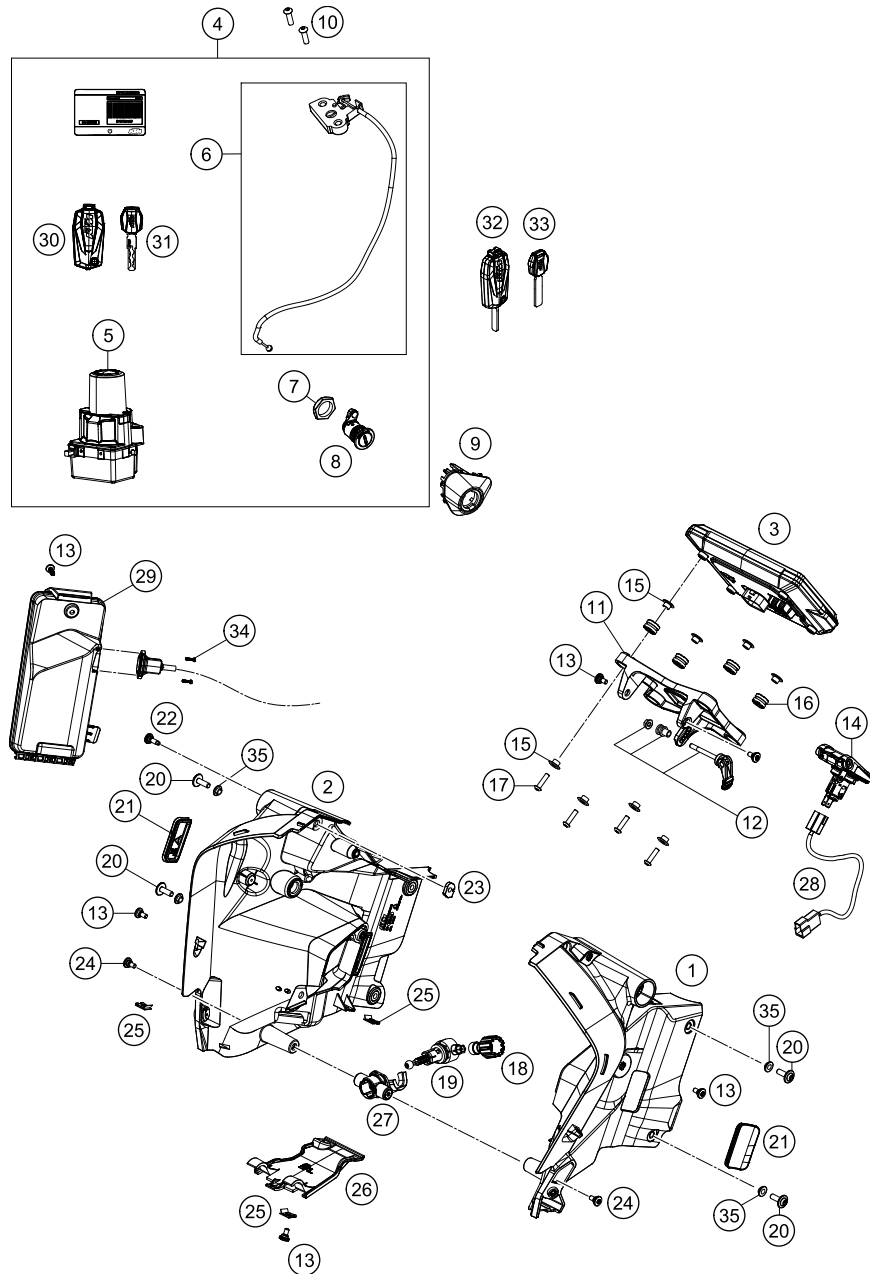


POS	PARTNUMBER	PARTNAME	PIECE
1	60714001000	Headlight LED TFL	1
2	60714014200	EJOT Altracs 5161 60x20	2
3	60714011060	Plug-in element headlight	2
4	0081050121	EJOT PT screw K50x12	6
5	60314040100	Rear light	1
6	60314047000	license plate lighting	1
7	60308006000	COLLAR BUSHING 6,2X9,2X15X12,5	2
8	60006001022	rubber grommet 9x11x16x8.5 mm	3
9	0024060256	HH COLLAR SCREW M6X25 TX30	2
10	60314025000	turn signal front left/rear right	2
11	60314026000	turn signal front right/rear left	2
12	0433100003	WASHER 18x10,5x1,6	4
13	0797100003	LOCK WASHER DIN6797-J10,5 ZI	4
14	58414030000	HH COLLAR NUT M10X1,25 WS=13	4
15	60714023000	Thumbwheel headlight adjust.	1
16	60714020000	Headlight adjuster	1
17	60714024100	Headlight support	1
18	60714011050	Bushing	2
19	61614018100	EJOT ALTRACS 50X12	2
21	61614020100	Ballhead holder	1

176071410

49309

* NEW PART X ON DEMAND



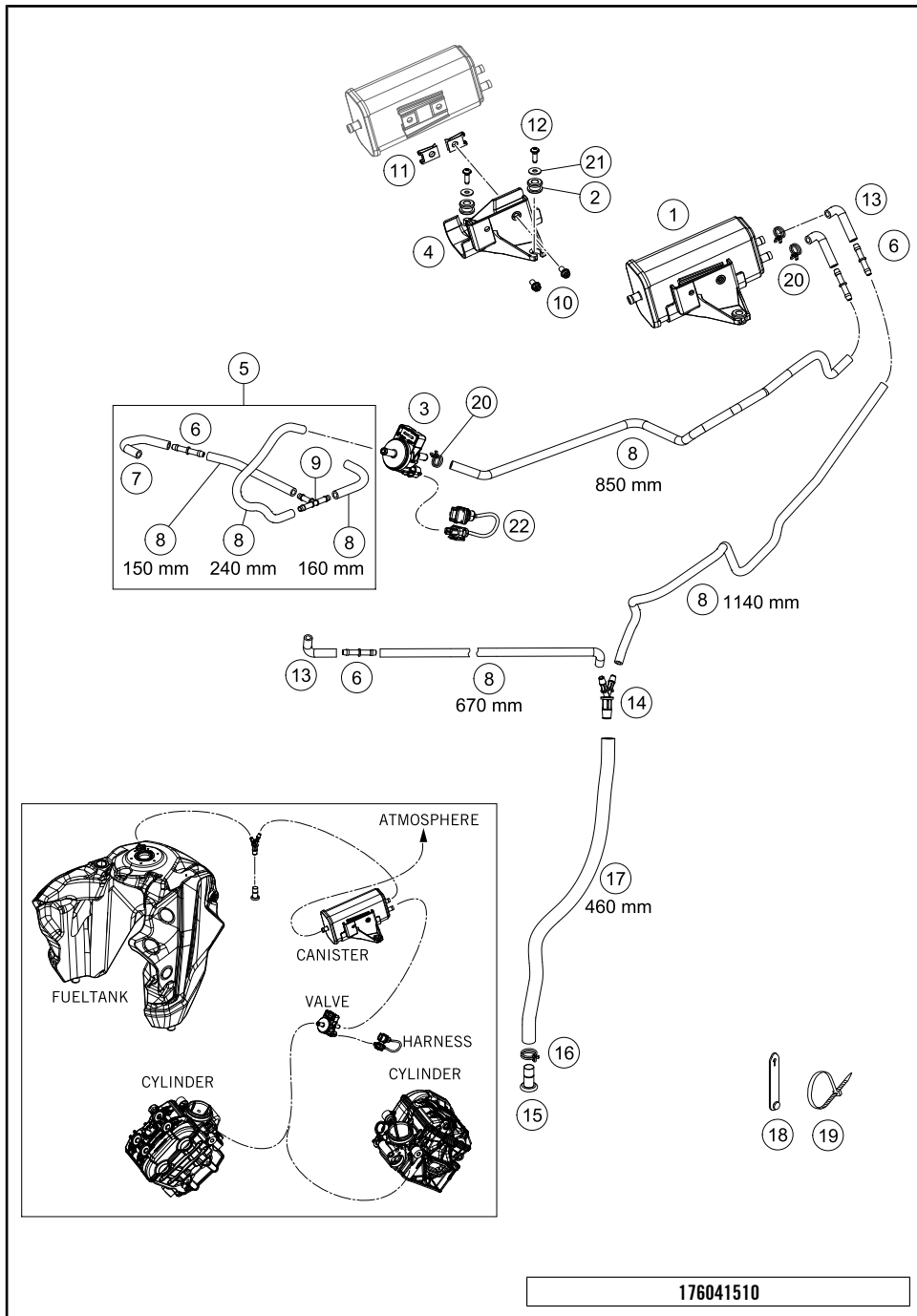
POS	PARTNUMBER	PARTNAME	PIECE
1	6071401010033	Mask carrier left	1
2	6071401110033	Mask carrier right	1
3	60714069000	TFT dashboard	1
4	60711266044	lockset Race-On 433 MHz	1
5	60711266000	Ignition lock KTM Race On 433 MHz	1
6	60307050000	SEAT LOCK CPL.	1
7	69007050050	NUT SEAT LOCK M22X1,5	1
8	60307050020	LOCK CYLINDER SEAT LOCK	1
9	60307053000	SEAT LOCK COVER	1
10	0738060181	BHCS ISO 7380 M6X18	2
11	60714062000	Instrument support	1
12	60714071044	Excentric lever speedometer 607 ADV	1
13	69008021160	special screw M5x12	11
14	60714013033B2	Power socket complete silver	1
15	60714069050	Bushing	8
16	61314069051	DAMP. COMPONENT SPEEDOMETER	4
17	0738050202	Lens head screw ISO 7380-M5X20A2	4
18	60714023000	Thumbwheel headlight adjust.	1
19	60714020000	Headlight adjuster	1
20	69014017000	SPECIAL SCREW M6X18 ISA30 08	4
21	60714010050	Cover for headlight mask holder	2
22	69008021060	special screw M5x17	1
23	60714010010	Headlight support top	1
24	69007025050	SPECIAL SCREW M5X12 ISA30 ALU	2
25	69008021080	clip nut M5	3
26	60714011010	Wire cover	1
27	60714024100	Headlight support	1
28	60711042050	Cable	1
29	60714078033	Storage compartment	1
30	60711267000	Race-on key 433 MHz	1
31	60411067000	KTM ignition key	1
32	60711267010	Race on blank key 433MHz	1
33	60411067010	Blank KTM ignition key	1
34	0081025101	EJOT PT SCHRAUBE K25X10 WN5452	2
35	69004060150	BUCHSE KETTENSCHUTZ	4

176071430

49234

* NEW PART

X ON DEMAND



POS	PARTNUMBER	PARTNAME	PIECE
1	75015001200	CARBON CANISTER	1
2	60039030000	VIBRATION DAMPER DIGITALBOX 03	2
3	76015015000	EVAP valve	1
4	60715002000	Support	1
5	60715020033	Hose	1
6	69015019010	HOSE CONNECTION STRAIGHT	2
7	61415021000	HOSE PURGE VALVE	1
8	78015019000	HOSE EPA D=6/10 L=2000MM	1
9	60015022000	T-CONNECTOR TS-6 03	1
10	0025060126	HH collar screw M6x12 TX30	2
11	54603048100	clip nut M6	2
12	0081050161	EJOT PT SCREW K50X16 1451	2
13	61315022000	PREFORMED HOSE 6X10 FPM	3
14	61315028100	Y-CONNECTOR YS 6-10-6	1
15	61315026000	PLUG D=10	1
16	58431082100	YDNAC-CLAMP 10173 (16MM) '98	1
17	78015119000	HOSE EPA D=10/16 L=2000MM	1
18	60011093075	RUBBER CABLE TIE 75MM 03	1
19	44011076140	CABLE TIE 140/2,5MM BLACK	x
20	59007017000	CLAMP YDNAC 10096F (9,6MM)	3
21	0021050003	washer DIN 9021 A - 5.3	2
22	60411078050	Wiring harness	1

176041510

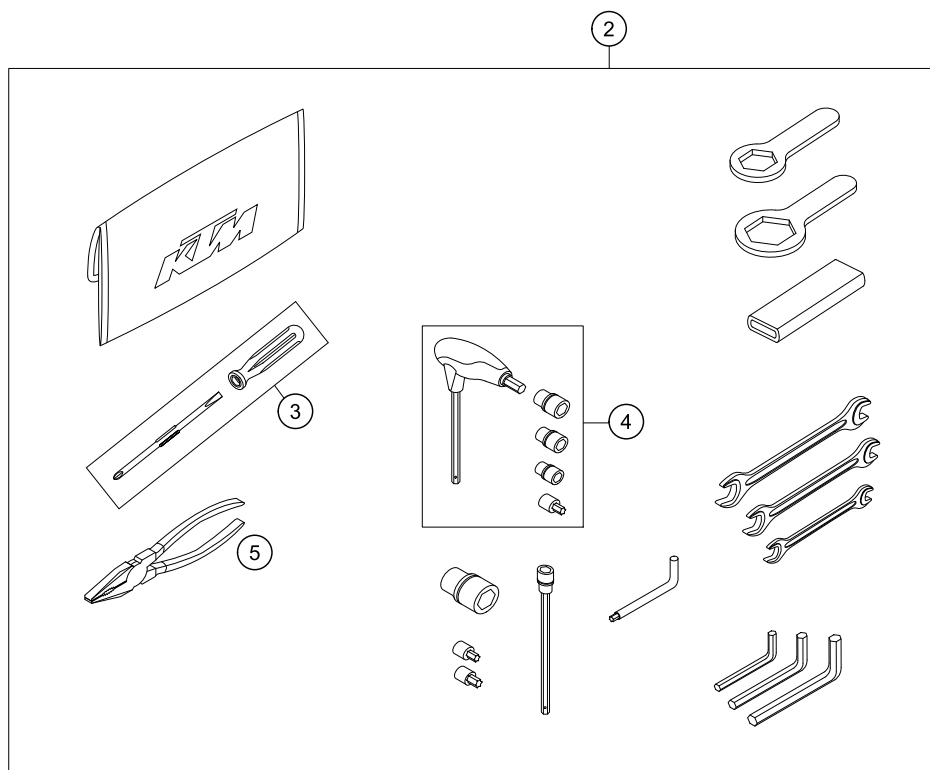
18657

* NEW PART

X ON DEMAND

0
OHNE ABBILDUNG
WITHOUT ILLUSTRATION

1
TECHNISCHE DOKUMENTATION
TECHNICAL DOCUMENTATION
DOCUMENTACION TECNICA
DOCUMENTATION TECHNIQUE
NOTE TECNICHE



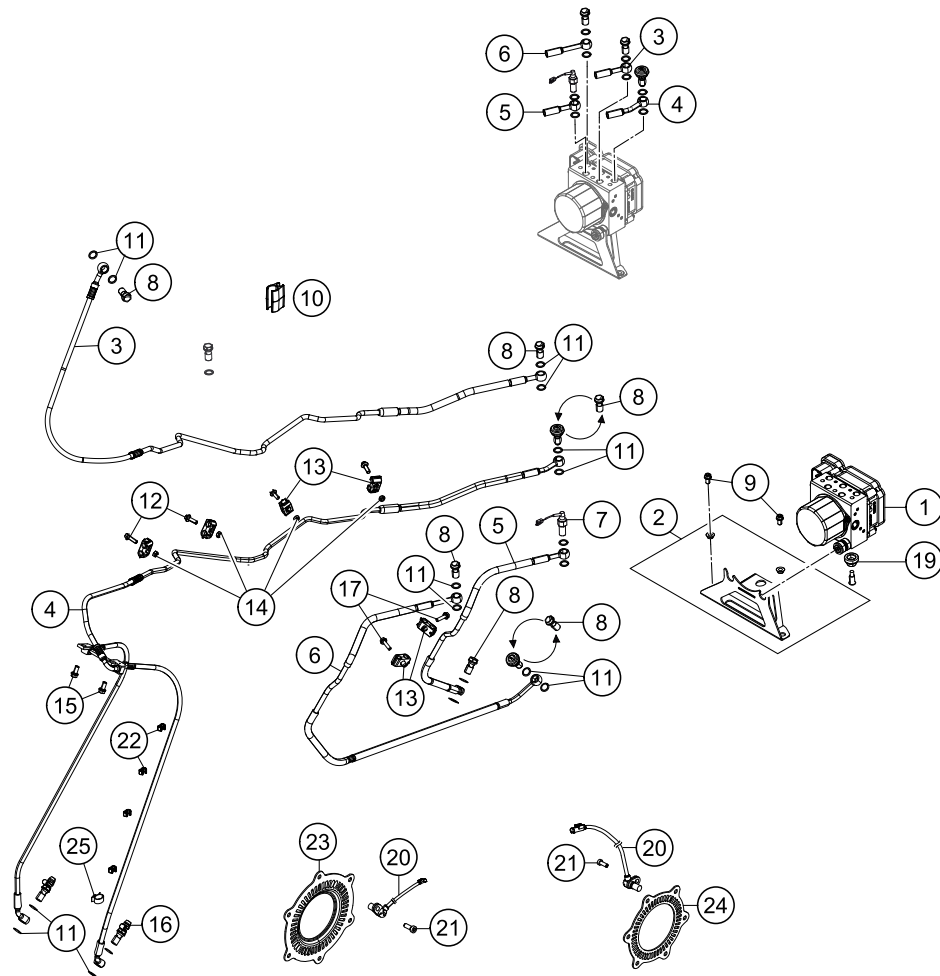
136032000

POS	PARTNUMBER	PARTNAME	PIECE
0	00063004105	950 ADV. CARTON F WIND PROT.	1
0	60708208000	Windshield short EU	1
0	00063099111	BAG FOR INSTR. MANUAL 245X170	1
0	69008021160	special screw M5x12	4
0	69014017000	SPECIAL SCREW M6X18 ISA30 08	2
0	58412080200	reflector, red	1
0	0024060156	HH collar screw M6x15 TX30	2
0	58412080050	BRACKET FOR REFLECTOR	1
0	0024060206	HH collar screw M6x20 TX30	2
0	40006006000	WASHER 6MM	2
0	60335040000	RADIATOR PROTECTOR	1
0	0966050163	OVAL HEAD SCREW DIN0966-M 5X16	2
0	60312968344EB	Crash bars	1
0	0125050003	WASHER DIN0125-A 5,3	2
0	60714089000	Decal radio certification instrument	1
0	0985050003	SELF LOCKING NUT DIN0985-M 5	2
0	60703098200	Decal ECE JP	1
0	312305	DOCUMENTS BAG 2006	1
0	3210040	CUSTOMER WELCOME LETTER	1
0	312313	KTM BALLPOINT PEN ORANGE	1
0	00063004202	PRINT LABEL 60X51 MM	1
0	60012081200	license plate mouning plate	1
0	0021060003	WASHER DIN9021-A 6,4	2
0	0985060003	SELF LOCK. NUT DIN0985-M 6	4
0	0125060003	WASHER DIN0125-A 6,4	4
0	45239060050	COLLAR BUSHING 6,3X8X13X9,5	2
0	60312040100	MIRROR	2
0	6030319000030	SKID PLATE ADV	1
0	60003096000	VIBRATION DAMPER 03	2
0	0025060406	HH collar screw M6x40 TX30	2
0	3212683ENE	PW STREET FOLDER 2016	1
0	3212678DE/ENE	PP STREET FOLDER 2016	1
0	00063004012	HEADLIGHT MASK BOX	1
1	3213753EN	Bed.-Anl. 1290 S. Adventure-R TKC 2018	1
2	60329099000	TOOL KIT	1
3	53012024100	SCREW DRIVER L=105MM	1
4	60029070300	T-WRENCH WS=6/8/10/TX45/SK4X1	1
5	53012028200	GRIP ORANGE B&F	1

49306

* NEW PART

X ON DEMAND



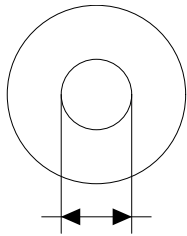
POS	PARTNUMBER	PARTNAME	PIECE
1	60742031144	ABS module filled	1
2	60342040044	SUPPORT ABS-MODULE CPL.	1
3	60742003000	Brake hose	1
4	60342004000	HOSE BRAKE CALIPER FRONT	1
5	60342001000	BRAKE HOSE REAR BRAKE CONTROL	1
6	60342002000	HOSE BRAKE CALIPER REAR	1
7	60311051000	BRAKE LIGHT SWITCH REAR	1
8	62113020100	banjo bolt M10x1x19.5	6
9	0025060166	HH collar screw M6x16 TX30	2
10	54813026100	CABLE SUPPORT 10/4MM 2014	1
11	0603100141	sealing ring DIN 7603 10x14x1	18
12	0014050163	HH COLLAR SCREW M 5X16 WS=6	4
13	60113146000	SUPPORT FOR BRAKE HOSE M5	6
14	0985050003	SELF LOCKING NUT DIN0985-M 5	6
15	0025060126	HH collar screw M6x12 TX30	2
16	62513020000	BLEEDER SCREW CPL. 05	2
17	0025050206	HH collar screw M5x20 TX30	2
19	60342041000	DAMP RUBBER	1
20	76042125000	ABS-SENSOR	2
21	014580060166	SHCS ISO 14580 M6x16	2
22	60111094100	BAR SPACER 4/7 BLACK	4
23	60342020000	SENSOR GEAR ABS	1
24	60142021100	SENSOR GEAR ABS REAR	1
25	58111076000	CABLE SUPPORT KHS NR.150-47610	2

176074210

49305

* NEW PART

X ON DEMAND



5 Ø 5 mm

6 Ø 6 mm

8 Ø 8 mm

10 Ø 10 mm

12 Ø 12 mm

14 Ø 14-14,5 mm

16 Ø 16 mm

20 Ø 20 mm

21 Ø 21 mm

22 Ø 22 mm

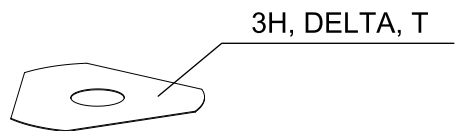
23 Ø 23 mm

24 Ø 24,5 mm

28 Ø 28,5 mm

32 Ø 32 mm

52 Ø 52 mm



3H, DELTA, T

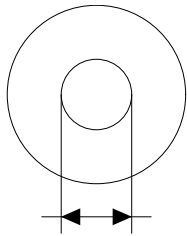
POS	PARTNUMBER	PARTNAME	PIECE
5	44906890	WASHER 5X15X2	X
6	40540400	SHIM 6X12X0,1	X
6	40540401	SHIM 6X14X0,1	X
6	40540402	SHIM 6X16X0,1	X
6	40540403	SHIM 6X18X0,1	X
6	40540404	SHIM 6X12X0,15	X
6	40540405	SHIM 6X14X0,15	X
6	40540406	SHIM 6X16X0,15	X
6	40540407	SHIM 6X18X0,15	X
6	40540408	SHIM 6X12X0,2	X
6	40540409	SHIM 6X14X0,2	X
6	40540410	SHIM 6X16X0,2	X
6	40540411	SHIM 6X18X0,2	X
6	48600095	SHIM 6X20X0,20	X
6	40540412	SHIM 6X12X0,25	X
6	40540413	SHIM 6X14X0,25	X
6	40540414	SHIM 6X16X0,25	X
6	40540415	SHIM 6X18X0,25	X
6	40540417	SHIM 6X8,5X0,10	X
6	40540418	SHIM 6X9X0,10	X
6	40540419	SHIM 6X9,5X0,10	X
6	40540423	SHIM 6X9,5X0,15	X
6	40540425	SHIM 6X8,5X0,20	X
6	40540426	SHIM 6X9X0,20	X
6	40540427	SHIM 6X9,5X0,20	X
6	40540447	SHIM 6X10X0,3	X
6	40540449	SHIM 6X9X0,3	X
6	40540450	SHIM 6X9,5X0,3	X
6	40540494	SHIM 6X18X0,4	X
6	40540774	SHIM 6X18X0,1 DELTA	X
6	40541383	SHIM 6X11X0,1	X
6	40541391	SHIM 6X11X0,3	X
6	40541402	SHIM 6X11X0,2	X
6	40541403	SHIM 6X10X0,20	X
6	40541404	SHIM 6X10X0,1	X
6	40541405	SHIM 6X10X0,15	X
6	40541406	SHIM 6X11X0,15	X
6	40541408	SHIM 6X8,0X0,30	X

080000190

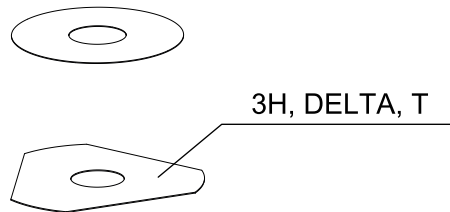
4668

* NEW PART

X ON DEMAND



- ⑤ Ø 5 mm
- ⑥ Ø 6 mm
- ⑧ Ø 8 mm
- ⑩ Ø 10 mm
- ⑫ Ø 12 mm
- ⑭ Ø 14-14,5 mm
- ⑯ Ø 16 mm
- ⑳ Ø 20 mm
- ㉑ Ø 21 mm
- ㉒ Ø 22 mm
- ㉓ Ø 23 mm
- ㉔ Ø 24,5 mm
- ㉘ Ø 28,5 mm
- ㉚ Ø 32 mm
- ㉜ Ø 52 mm



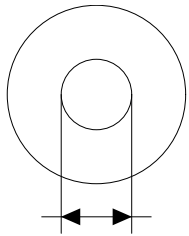
POS	PARTNUMBER	PARTNAME	PIECE
6	40541414	SHIM 6X8,0X0,10	X
6	40541416	SHIM 6X8X0,3	X
6	40541417	SHIM 6X11X0,25	X
6	48600102	SHIM 6X24X0,25	X
6	48600063	SHIM 6X24X0,1	X
6	48600064	SHIM 6X22X0,1	X
6	48600065	SHIM 6X20X0,1	X
6	48600069	SHIM 6X20X0,15	X
6	48600100	SHIM 6X24X0,15	X
6	48600116	SHIM 6X24X0,1 DELTA	X
6	48600139	SHIM 6X22X0,1 DELTA	X
6	48600217	BACKPLATE 6X10X0,25	X
6	48600325	SHIM 6X13X0,1	X
6	48600327	SHIM 6X15X0,1	X
6	48600329	SHIM 6X17X0,1	X
6	48600331	SHIM 6X19X0,1	X
6	48600096	SHIM 6X20X0,25	X
6	48600097	SHIM 6X22X0,15	X
6	48600099	SHIM 6X22X0,25	X
6	40540448	BACKPLATE 6X8,5X0,30	X
6	48600479	SHIM 6X20X0,1 T/3H	X
6	48600332	SHIM 6X21X0,1	X
6	48600333	SHIM 6X23X0,1	X
6	40541393	SHIM 6X12X0,3	X
6	48600330	SHIM 6X17X0,15	X
6	48600988	SHIM 6X28X0,10	X
6	48600989	SHIM 6X26X0,10	X
6	48601091	SHIM 6X28X0,15	X
6	48601093	SHIM 6X26X0,15	X
6	48600328	SHIM 6X15X0,15	X
6	48600326	SHIM 6X13X0,15	X
6	48601548	SHIM 6X17X1,5	X
6	48601693	SHIM 6X18X3	X
6	48600098	SHIM 6X22X0,20	X
6	48601300	WASHER 6X25X1,5	X
6	48601692	SHIM 6X30X0,15	X
6	48601550	SHIM 6X30X0,10	X
6	40541392	SHIM 6X8X0,20	X

080000190

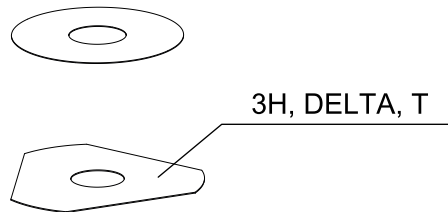
4668

* NEW PART

X ON DEMAND



- ⑤ Ø 5 mm
- ⑥ Ø 6 mm
- ⑧ Ø 8 mm
- ⑩ Ø 10 mm
- ⑫ Ø 12 mm
- ⑭ Ø 14-14,5 mm
- ⑯ Ø 16 mm
- ⑳ Ø 20 mm
- ㉑ Ø 21 mm
- ㉒ Ø 22 mm
- ㉓ Ø 23 mm
- ㉔ Ø 24,5 mm
- ㉘ Ø 28,5 mm
- ㉚ Ø 32 mm
- ㉜ Ø 52 mm



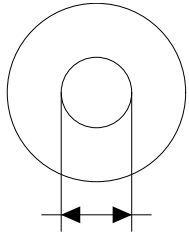
POS	PARTNUMBER	PARTNAME	PIECE
8	40540477	SHIM 8X18X0,4	X
8	43570120	SHIM 8X18X0,10	X
8	44916098	WASHER 8,4X16X0,8	X
8	44916130	WASHER 8,2X15X1	X
8	44916180	WASHER 8,2X11X1	X
8	48600214	SHIM 8X16X0,1	X
8	48600385	SHIM 8x14x0,25	X
8	48600346	SHIM 8X11X0,2	X
8	48600215	CHECK VALVE 8X20X0,1	X
8	48600485	SHIM 8X10X0,10	X
8	48601402	SHIM 8X13X0,10	X
8	48600350	CHECK VALVE 8X16X0,15	X
8	48600061	CHECK VALVE 8X24X0,4	X
8	48600062	CHECK VALVE 8X24X0,1	X
8	48600216	CHECK VALVE 8X22X0,1	X
8	48600480	SHIM 8X10X0,20	X
8	48600555	SHIM 8X16X0,20	X
8	48600213	SHIM 8X14X0,10	X
8	48600357	CHECK VALVE 8X11X0,1	X
8	48600351	CHECK VALVE 8X12X0,1	X
8	48600607	Steering damper washer	X
8	48601095	SHIM 8X17X0,10	X
8	48600352	CHECK VALVE 8X11X0,4	X
8	48601860	Washer 8x11x0,15	X
10	36120284	SHIM 10X16X0,10	X
10	36120298	SHIM 10X16X0,2	X
10	36120312	SHIM 10X16X0,30	X
10	36120314	SHIM 10X18X0,30	X
10	36120325	SHIM 10X19X0,15	X
10	36120327	SHIM 10X23X0,15	X
10	36120328	SHIM 10X25X0,15	X
10	36120329	SHIM 10X27X0,15	X
10	36120330	SHIM 10X29X0,15	X
10	36120331	SHIM 10X31X0,15	X
10	36120332	SHIM 10X33X0,15	X
10	36120334	SHIM 10X21X0,20	X
10	36120335	SHIM 10X23X0,20	X
10	36120336	SHIM 10X25X0,20	X

080000190

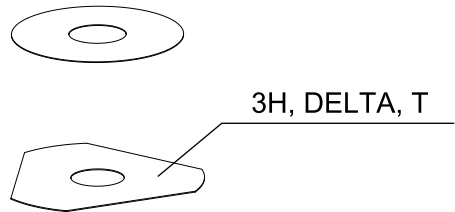
4668

* NEW PART

X ON DEMAND



- ⑤ Ø 5 mm
- ⑥ Ø 6 mm
- ⑧ Ø 8 mm
- ⑩ Ø 10 mm
- ⑫ Ø 12 mm
- ⑭ Ø 14-14,5 mm
- ⑯ Ø 16 mm
- ⑳ Ø 20 mm
- ㉑ Ø 21 mm
- ㉒ Ø 22 mm
- ㉓ Ø 23 mm
- ㉔ Ø 24,5 mm
- ㉘ Ø 28,5 mm
- ㉚ Ø 32 mm
- ㉜ Ø 52 mm



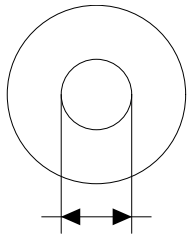
POS	PARTNUMBER	PARTNAME	PIECE
10	36120337	SHIM 10X27X0,20	X
10	36120338	SHIM 10X29X0,20	X
10	36120339	SHIM 10X31X0,20	X
10	36120340	SHIM 10X33X0,20	X
10	36120342	SHIM 10X21X0,25	X
10	36120343	SHIM 10X23X0,25	X
10	36120344	SHIM 10X25X0,25	X
10	36120345	SHIM 10X27X0,25	X
10	36120349	SHIM 10X19X0,30	X
10	36120350	SHIM 10X21X0,30	X
10	36120313	SHIM 10X17X0,30	X
10	36120354	SHIM 10X29X0,30	X
10	40140275	WASHER 10X35X0,15	X
10	48601708	SHIM 10X30X0,40	X
10	36120346	SHIM 10X29X0,25	X
10	36120355	SHIM 10X31X0,30	X
10	36120348	SHIM 10X33X0,25	X
10	36120604	SHIM D10XD22X2,5	X
12	46810490	SHIM 12X24X0,20	X
12	46810491	SHIM 12X26X0,20	X
12	46810492	SHIM 12X28X0,20	X
12	46810493	SHIM 12X30X0,20	X
12	46810494	SHIM 12X32X0,20	X
12	46810495	SHIM 12X34X0,20	X
12	46810496	SHIM 12X36X0,20	X
12	46810497	SHIM 12X38X0,20	X
12	46810498	SHIM 12X40X0,20	X
12	46810499	SHIM 12X24X0,25	X
12	46810500	SHIM 12X26X0,25	X
12	46810501	SHIM 12X28X0,25	X
12	46810502	SHIM 12X30X0,25	X
12	46810504	SHIM 12X34X0,25	X
12	46810505	SHIM 12X36X0,25	X
12	46810507	SHIM 12X40X0,25	X
12	46810508	SHIM 12X24X0,30	X
12	46810509	SHIM 12X26X0,30	X
12	46810510	SHIM 12X28X0,30	X
12	46810512	SHIM 12X32X0,30	X

080000190

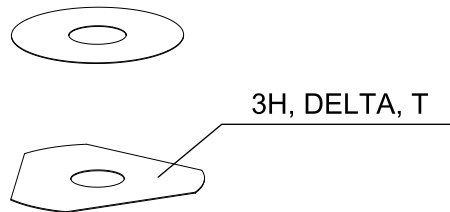
4668

* NEW PART

X ON DEMAND



- ⑤ Ø 5 mm
- ⑥ Ø 6 mm
- ⑧ Ø 8 mm
- ⑩ Ø 10 mm
- ⑫ Ø 12 mm
- ⑭ Ø 14-14,5 mm
- ⑯ Ø 16 mm
- ⑳ Ø 20 mm
- ㉑ Ø 21 mm
- ㉒ Ø 22 mm
- ㉓ Ø 23 mm
- ㉔ Ø 24,5 mm
- ㉘ Ø 28,5 mm
- ㉚ Ø 32 mm
- ㉜ Ø 52 mm



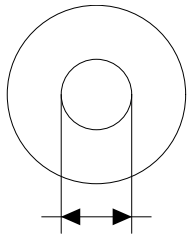
POS	PARTNUMBER	PARTNAME	PIECE
12	46810513	SHIM 12X34X0,30	X
12	46810518	SHIM 12X26X0,15	X
12	46810519	SHIM 12X28X0,15	X
12	46810520	SHIM 12X30X0,15	X
12	46810521	SHIM 12X32X0,15	X
12	46810522	SHIM 12X34X0,15	X
12	46810523	SHIM 12X36X0,15	X
12	46810524	SHIM 12X38X0,15	X
12	46810525	SHIM 12X40X0,15	X
12	46810604	SHIM 12X20X0,10	X
12	46810606	SHIM 12X22X0,10	X
12	46810607	SHIM 12X23X0,10	X
12	46810608	SHIM 12X24X0,10	X
12	46810610	SHIM 12X27X0,15	X
12	46810611	SHIM 12X18X0,15	X
12	46810612	SHIM 12X19X0,15	X
12	46810615	SHIM 12X22X0,15	X
12	46810636	BACKPLATE 12X16X0,30	X
12	46810637	BACKPLATE 12X17X0,30	X
12	46810638	BACKPLATE 12X18X0,30	X
12	46810639	SHIM 12X19X0,30	X
12	46810641	BACKPLATE 12X21X0,30	X
12	46811582	BACKPLATE 12X30X0,10	X
12	46810631	SHIM 12X20X0,25	X
12	46810633	SHIM 12X22X0,25	X
12	46811580	SHIM 12X32X0,10	X
12	46810503	SHIM 12X32X0,25	X
12	46810517	SHIM 12X24X0,15	X
12	46810856	SHIM 12X20X0,3 CC	X
12	46811258	RING 12X24X2,5	X
12	46812018	SHIM 12X42X0,25	X
12	46812015	SHIM 12X44X0,20	X
12	46810613	SHIM 12X20X0,15	X
12	46810623	SHIM 12X21X0,20	X
12	46810624	SHIM 12X22X0,20	X
12	46810642	SHIM 12X22X0,30	X
12	46810643	SHIM 12X23X0,30	X
12	46811629	SHIM 12X28X0,10	X

080000190

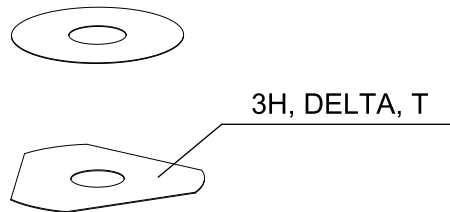
4668

* NEW PART

X ON DEMAND



- ⑤ Ø 5 mm
- ⑥ Ø 6 mm
- ⑧ Ø 8 mm
- ⑩ Ø 10 mm
- ⑫ Ø 12 mm
- ⑭ Ø 14-14,5 mm
- ⑯ Ø 16 mm
- ⑳ Ø 20 mm
- ㉑ Ø 21 mm
- ㉒ Ø 22 mm
- ㉓ Ø 23 mm
- ㉔ Ø 24,5 mm
- ㉘ Ø 28,5 mm
- ㉚ Ø 32 mm
- ㉜ Ø 52 mm



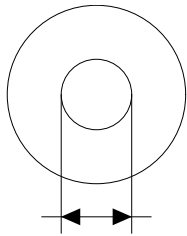
POS	PARTNUMBER	PARTNAME	PIECE
12	46810511	SHIM 12X30X0,30	X
12	46810514	SHIM 12X36X0,30	X
12	46810506	SHIM 12X38X0,25	X
12	46810515	SHIM 12X38X0,30	X
12	46812017	SHIM 12X42X0,20	X
12	46812016	SHIM 12X44X0,25	X
12	46810622	SHIM 12X20X0,20	X
12	46811635	BENDING DISK 12X26X0,10	X
14	46811046	SHIM 14,5X35,4X1,25	X
16	50180023	SHIM 16X23X0,20	X
16	50180030	SHIM	X
16	50180006	BACKPLATE 16X20X0,10	X
16	50180007	SHIM 16X21X0,10	X
16	50180028	SHIM 16X21X0,25	X
16	50180210	WASHER 16X21X1	X
16	50180008	SHIM 16X22X0,10	X
16	50180022	SHIM 16X22X0,20	X
16	50180037	SHIM 16X23X0,30	X
16	50180038	SHIM 16X24X0,30	X
16	50180032	SHIM 15X25X0,25	X
16	50180039	SHIM 16X25X0,30	X
16	50180012	SHIM 16X26X0,10	X
16	50180019	SHIM 16X26X0,15	X
16	50180026	SHIM 16X26X0,20	X
16	50180040	SHIM 16X26X0,30	X
16	50180041	SHIM 16X28X0,10	X
16	50180045	SHIM 16X28X0,15	X
16	50180054	SHIM 16X28X0,20	X
16	50180063	SHIM 16X28X0,25	X
16	50180072	SHIM 16X28X0,30	X
16	50180046	SHIM 16X30X0,15	X
16	50180055	SHIM 16X30X0,20	X
16	50180064	SHIM 16X30X0,25	X
16	50180073	SHIM 16X30X0,30	X
16	50180047	SHIM 16X32X0,15	X
16	50180056	SHIM 16X32X0,20	X
16	50180065	SHIM 16X32X0,25	X
16	50180074	SHIM 16X32X0,30	X

080000190

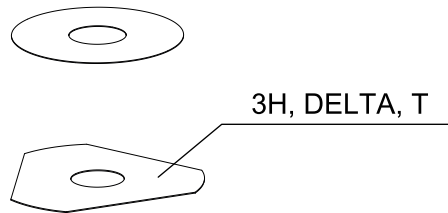
4668

* NEW PART

X ON DEMAND



- ⑤ Ø 5 mm
- ⑥ Ø 6 mm
- ⑧ Ø 8 mm
- ⑩ Ø 10 mm
- ⑫ Ø 12 mm
- ⑭ Ø 14-14,5 mm
- ⑯ Ø 16 mm
- ⑳ Ø 20 mm
- ㉑ Ø 21 mm
- ㉒ Ø 22 mm
- ㉓ Ø 23 mm
- ㉔ Ø 24,5 mm
- ㉘ Ø 28,5 mm
- ㉚ Ø 32 mm
- ㉜ Ø 52 mm



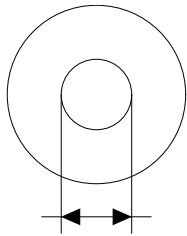
POS	PARTNUMBER	PARTNAME	PIECE
16	50180044	SHIM 16X34X0,10	X
16	50180048	SHIM 16X34X0,15	X
16	50180057	SHIM 16X34X0,20	X
16	50180066	SHIM 16X34X0,25	X
16	50180075	SHIM 16X34X0,30	X
16	50180049	SHIM 16X36X0,15	X
16	50180058	SHIM 16X36X0,20	X
16	50180067	SHIM 16X36X0,25	X
16	50180076	SHIM 16X36X0,30	X
16	50180050	SHIM 16X38X0,15	X
16	50180059	SHIM 16X38X0,20	X
16	50180068	SHIM 16X38X0,25	X
16	50180077	SHIM 16X38X0,30	X
16	50180051	SHIM 16X40X0,15	X
16	50180060	SHIM 16X40X0,20	X
16	50180069	SHIM 16X40X0,25	X
16	50180078	SHIM 16X40X0,30	X
16	50180052	SHIM 16X42X0,15	X
16	50180061	SHIM 16X42X0,20	X
16	50180070	SHIM 16X42X0,25	X
16	50180079	SHIM 16X42X0,30	X
16	50180053	SHIM 16X44X0,15	X
16	50180062	SHIM 16X44X0,20	X
16	50180071	SHIM 16X44X0,25	X
16	50180080	SHIM 16X44X0,30	X
16	50180177	WASHER 16X8,2X0,6	X
16	50180033	SHIM 16X26X0,25	X
16	50180034	BACKPLATE 16X20X0,30	X
16	50180035	BACKPLATE 16X21X0,30	X
16	50180036	BACKPLATE 16X22X0,30	X
16	50180043	SHIM 16X32X0,10	X
16	50180024	SHIM 16X24X0,20	X
16	50180027	SHIM 16X20X0,25	X
16	50180031	SHIM	X
16	50180029	SHIM	X
16	50180010	SHIM 16X24X0,10	X
20	48600212	PRESSURE-RING 20X16,25X0,20	X
20	50180666	SHIM 20X24X0,30	X

080000190

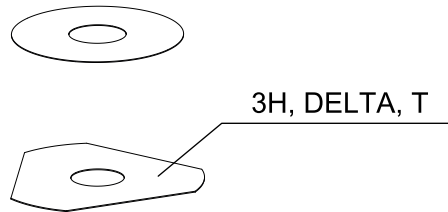
4668

* NEW PART

X ON DEMAND



- ⑤ Ø 5 mm
- ⑥ Ø 6 mm
- ⑧ Ø 8 mm
- ⑩ Ø 10 mm
- ⑫ Ø 12 mm
- ⑭ Ø 14-14,5 mm
- ⑯ Ø 16 mm
- ⑳ Ø 20 mm
- ㉑ Ø 21 mm
- ㉒ Ø 22 mm
- ㉓ Ø 23 mm
- ㉔ Ø 24,5 mm
- ㉘ Ø 28,5 mm
- ㉚ Ø 32 mm
- ㉜ Ø 52 mm



POS	PARTNUMBER	PARTNAME	PIECE
20	50180654	SHIM 20X36X0,20	X
20	50180655	SHIM 20X38X0,20	X
20	50180656	SHIM 20X40X0,20	X
20	50180665	SHIM 20X40X0,25	X
20	50180662	SHIM 20X34X0,25	X
20	50180657	SHIM 20X24X0,25	X
20	50180653	SHIM 20X34X0,20	X
20	50180634	RING 20X22,9X1	X
20	50180650	SHIM 20,2X28X0,20	X
20	50180663	SHIM 20X36X0,25	X
20	50180664	SHIM 20X38X0,25	X
20	50180659	SHIM 20,2X28X0,25	X
21	50180209	WASHER 21X36X0,25	X
22	50180330	PRESS. RING 22X18X0,30	X
23	50180635	SHUTTLE VALVE 23X38X0,25	X
23	50180578	SHIM D23XD16X2	X
24	40541061	WASHER 24,5X34X2	X
28	36120469	SHIM 28,5X14X2	X
28	36120471	SHIM 28,5X14X5	X
32	48600460	WASHER 32X42X2,5	X
32	50600065	SHIM 32X45X2	X
32	46811637	PRESSURE RING 36X32,25	X
52	50600002	SHIM 52X59X2,2	X

080000190

4668

* NEW PART

X ON DEMAND

A large, empty rectangular box with a thin black border, occupying the majority of the page. It is intended for students to write their notes during the '1290 Super Adventure R 2018' activity.

WWW.KTM.COM



KTM Sportmotorcycle GmbH
5230 Mattighofen, Austria
www.ktm.com



KTM_POWERPARTS

KTM_POWERWEAR

KTM_ORIGINAL SPARE PARTS



F9903R6EN

Art. Nr.: F9903R6EN 1. Sep 2017